

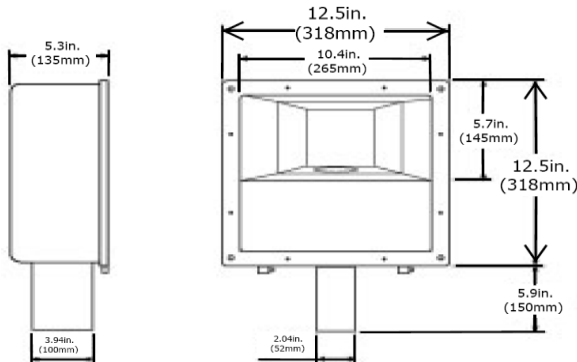
PowerLux® iMiniShoeBox™ Induction Luminaire



Shown with Square Pole Mount

55W Induction 100-120V, 200-277V

FIXTURE DIMENSIONS



IES FILE PHOTOMETRIC DATA

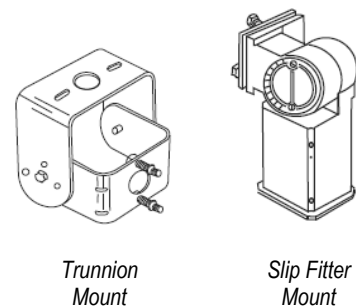
Available upon request

PACKING DATA

Carton size: 15"x9"x18" Weight: 14 lbs

ORDERING INFORMATION & SELECTION

Model No.	Wattage	Lamp Kelvin	Voltage	Mounting Device
PMSB	55	827	100-120V	Pole Mount Square (PMS)
		830		Pole Mount Round (PMR)
		840	200-277V	Slip Fitter (SF)
		850		Trunnion (TR)



Trunnion Mount

Slip Fitter Mount

Part Number Example PMSB55/840/277/PMS

Description: PowerLux iMiniShoeBox Induction Luminaire 55W 4000K 200-277V with Pole Mount Square

Catalog#		Type
Project		
Note		Date
Prepared by		

PROVEN QL INDUCTION LIGHTING TECHNOLOGY WORLDWIDE SINCE 1992

APPLICATIONS

- For street and parking lot lighting

SPECIFICATION FEATURES

- Proven 100,000 hours rated lamp life
- Instant ON and instant re-strike with back-to-full brightness feature
- CRI >80 White light no color shift, no flickering
- Power factor >.90
- Bi-level dimming ballast 50% power reducer to save energy during inactive times. Works with 0-10V control
- Thermally engineered for sustainable operation designed according to local temperatures
- Die-cast aluminum housing with powder coated bronze paint finish
- Safety tempered glass lens
- Silicon rubber gasket
- Aluminum reflector designed for maximum photometric efficiency and optimum light distribution
- Cut-off distribution complies with Dark Sky compliance
- Instant On and instant re-strike with back-to-full brightness feature
- UL listed for wet location
- Perfect replacement for HPS and MH HID light sources
- Overall weight is reduced for easy installation and maintenance
- Manufactured in the U.S.A.
- Mounting Accessories:
Pole Mount (Round or Square Pole)
Slip Fitter (O.D. 2.4" adjusts 180 degrees)
Trunnion (Adjusts 180 degrees and can be locked)

PowerLux® Corporation

U.S. Manufacturer of Sustainable Energy Efficient Lighting Products
Induction Lighting Proven Success Since 1999

1260 Liberty Way, Suite E Vista, CA 92081 Phone: 760-727-2360 Fax: 760-434-4766

Website: www.powerlux.com E-mail: klpowerlux@gmail.com

PowerLux® Products Have Stood the Test of Time!