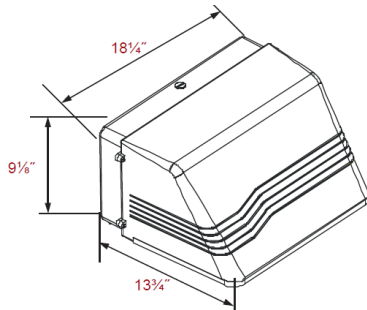


# PowerLux® Corporation

## Large Full Cutoff Wall Pack LED Luminaire



### FIXTURE DIMENSIONS:



### ORDERING INFORMATION:

Model No.	Wattage	CCT	Optics	Lens	Input Voltage	Additional Options
PLEDLFCWP	56W	4K=4000K 5K=5000K	3=Type III 5=Type V	G=Clear Glass P=Clear Prismatic Glass* *Use with Type V Optics only	U=120-277V UH=347/480V	SP= Surge Protector PC1=Photocell, 120VAC PC2= Photocell, 240-277VAC WG= Wire Guard VG= Polycarbonate Vandal Resistant Guard

Part Number Example: PLEDLFCWP/56/4K/5/P/U/SP

Description: PowerLux® LED Large Full Cut off Wall Pack, 56W, 4000 Kelvin, Type V Distribution, Clear Prismatic Glass, 120-277V LED Electronic Driver, and Surge Protector

Catalog#		Type
Project		
Note		Date
Prepared by		

### APPLICATIONS

Luminaire is available with a choice of optical distributions designed to replace HID lighting systems 250w to 400 MH or HPS. Typical wall mounted lighting applications include retail centers, industrial parks, schools and universities, public transit and airports, office buildings and medical facilities. Mounting heights of 18 to 30 feet can be used based on light level and uniformity requirements.

### HOUSING FEATURES:

- Die cast aluminum housing & hinged full cutoff front frame
- 1/2" coin plugs with O-rings for conduit & photocell
- Textured architectural bronze powder coat finish over a chromate conversion coating
- Custom colors upon request

### LENS:

Clear Flat Glass lens OR Clear Flat Prismatic Glass Lens

### Mounting:

Cast-in template for mounting directly over a 4" recessed outlet box, or use 1/2" surface conduit

### SYSTEM WATTAGE:

- Array 55.8W, System 63W

### LED DRIVER:

Dimmable Electronic Driver, 120-277V, 50/60Hz OR  
347/480V, 50/60Hz  
Optional 2.5KV Surge Protector

### Listing & Rating

- CSA: Listed for wet locations
- DLC Listed as: WPC20QC1X56U5KC, WPC20QF1X56U5KC
- 5-Year warranty
- Operating Temperatures: -40°C to +40°C
- Calculated L70 @25°C=201,000
- See Page 2 for Photometric Data

**Assembled in the USA**

PowerLux® Corporation

**U.S. Manufacturer of Sustainable Energy Efficient Lighting Products**

1260 Liberty Way, Suite E Vista, CA 92081 Phone: 760-727-2360 Fax: 760-434-4766

Website: [www.powerlux.com](http://www.powerlux.com) E-mail: [klpowerlux@gmail.com](mailto:klpowerlux@gmail.com)

**PowerLux® Products Have Stood the Test of Time!**

Based on prevailing model. Efficiency of the LED driver and efficacy of LED modules are ever improving. Please contact PowerLux® for latest updated information.

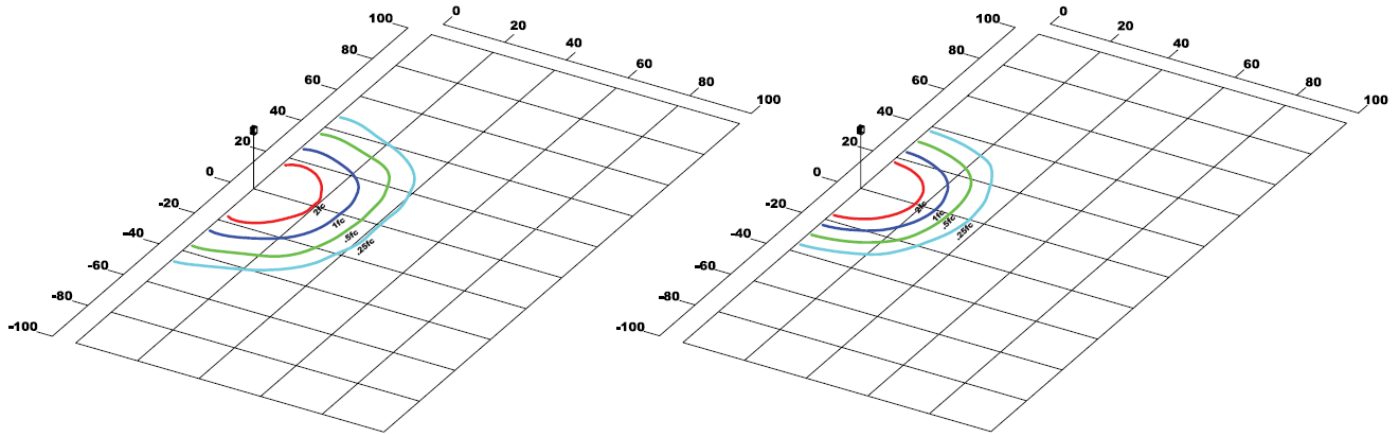
170206  
Patents pending  
Specifications subject to change without prior notice  
© 2014-2017 by PowerLux® Corporation. All rights reserved

# PowerLux® Corporation

## Large Full Cutoff Wall Pack LED Luminaire

Catalog#		Type
Project		
Note		Date
Prepared by		

### PHOTOMETRIC DATA:



Type III, 5000K  
Grid in MH  
MH=20 Feet

Type V, 5000K  
Grid in MH  
MH=20 Feet

### Photometric Performance

LED Board Watts	Drive Current (mA)	Input Watts	Optics	5000 CCT 80 CRI					4000 CCT 80 CRI				
				Lumens	LPW	B	U	G	Lumens	LPW	B	U	G
56W	525	63	Type III	5,895	94	2	2	2	5,659	90	1	2	1
			Type V	6,525	104	2	2	1	6,264	99	2	2	1

### Projected Lumen Maintenance

Data shown for 5000 CCT			Compare to MH				
TM-21-11	Input Watts	Initial	25,000 Hrs	50,000 Hrs	100,000 Hrs	Calculated L70@ 25°C	
L70 Lumen Maintenance @ 25°C / 77°F	63	1.00	0.96	0.93	0.85	201,000	
TM-21-11	Input Watts	Initial	25,000 Hrs	50,000 Hrs	100,000 Hrs	Calculated L70@ 50°C	
L70 Lumen Maintenance @ 50°C / 122°F	63	1.00	0.93	0.86	0.73	110,000	
TM-21-11	Input Watts	Initial	25,000 Hrs	50,000 Hrs	100,000 Hrs	Calculated L70@ 50°C	
L80 Lumen Maintenance @ 40°C / 104°F	63	1.00	0.94	0.88	0.77	86,000	

#### NOTES:

- Projected per IESNA TM-21-11. Data references the extrapolated performance projections for the 525mA base model in a 25°C ambient, based on 10,000 hours of LED testing per IESNA LM-80-08.
- Compare to MH box indicates suggested Light Loss Factor (LLF) to be used when comparing to Metal Halide (MH) systems.

## PowerLux® Corporation

### U.S. Manufacturer of Sustainable Energy Efficient Lighting Products

1260 Liberty Way, Suite E Vista, CA 92081 Phone: 760-727-2360 Fax: 760-434-4766

Website: [www.powerlux.com](http://www.powerlux.com) E-mail: [klpowerlux@gmail.com](mailto:klpowerlux@gmail.com)

**PowerLux® Products Have Stood the Test of Time!**

Based on prevailing model. Efficiency of the LED driver and efficacy of LED modules are ever improving. Please contact [PowerLux.com](http://PowerLux.com) for latest updated information.

170206  
Patents pending  
Specifications subject to change without prior notice  
© 2014-2017 by PowerLux® Corporation. All rights reserved