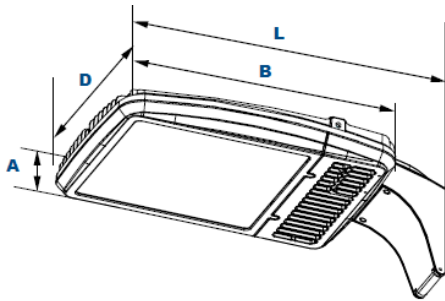


# PowerLux® Flood-Area LED Luminaire



Shown with "CA" Curved Arm  
Mounting Option



Dimensions			
Width (D)	15¾"	Length with Mount (L)	Curved Arm (CA): 27½"
Length (B)	22"		Slip Fitter (SF): 29¼"
Height (A)	4"		Mounting Arm Adapter (MA): 26¼"
			Yoke (Y): 26¼"
			Trunnion Bracket (TR): 25¼"

## PACKING DATA:

Carton size: 11"x11"x30"  
Weight: 33 lbs

## ORDERING INFORMATION:

Model No.	Wattage	CCT	Optics	Lens	Input Voltage	Mounting	Additional Options (factory installed)
PLEDFA	167W 256W	840=4000K 850=5000K	1= Type I 2= Type II 3= Type III 5= Type V	CG=Clear Flat Glass PG=Clear Flat Prismatic Glass*  *Use with type V optic only	U=120-277V UH=347/480V	CA=Curved Arm SF= Slip Fitter MA= Mounting Arm Adapter Y= Yoke TR= Trunnion Bracket	SP=Surge Protector M1= Motion Sensor IR for mounting heights of 20ft to 35ft M2=Motion Sensor, IR for mounting heights of 18ft or less R3=3-Pin Twist Lock Photocell Receptacle R7=7-Pin Twist Lock Photocell Receptacle with shorting cap

Part Number Example: PLEDFA/167/840/3/CG/U/CA/SP

Description: PowerLux® LED Flood Area Luminaire 167W, 4000 Kelvin, Type III, Clear Flat Glass (16,047 Lumens), 120-277V, Curved Arm Mounting, Surge Protector

Catalog#		Type
Project		
Note		Date
Prepared by		

## APPLICATIONS

Available in two wattages with a wide choice of mounting configurations and optical distributions designed to replace HID lighting systems from 250W to 1000W MH or HPS. Typical area lighting applications include retail centers, industrial parks, schools and universities, public transit and airports, office buildings and medical facilities. Mounting heights of 16 to 35 feet can be used based on light level and uniformity requirements

## HOUSING FEATURES:

- Die cast aluminum housing and front frame. Integral heat sinking and driver compartment
- Textured architectural bronze powdercoat finish over a chromate conversion coating. Custom Colors Available
- Nickel-Plated Stainless Steel Hardware

## LENS:

Clear Flat Glass Lens or Clear Flat Prismatic Glass Lens

## Mounting Options:

Mounts with Curved Arm, Adjustable Slip Fitter, 2¾" Diameter Mounting Arm Adapter, Yoke, or Trunnion Bracket (Factory Installed)

## SYSTEM WATTAGE:

- 167W: Array: 167.3W, System Input: 177W (250-400W HID Equivalent)
- 256W: Array: 255.7W, System Input: 281W (400-1000W HID Equivalent)

## DIMMABLE ELECTRONIC LED DRIVER:

- Instant ON and instant re-strike with back-to-full brightness
- Voltage Input: 120-277V, 50/60Hz **OR** 347/480V, 50/60Hz

## Listing & Rating

- 5 year warranty
- CSA: Listed for wet locations
- Operating temperatures: -40°C to +50°C
- IP67 sealed LED compartment
- DLC Listed as: KH45QC1X167U5KC, KH45QF1X167U5KC, KH45QC1X256U5KC, KH45QF1X256U5KC
- Calculated L70 @25°C=290,000

## Assembled in the USA

PowerLux® Corporation

U.S. Manufacturer of Sustainable Energy Efficient Lighting Products

1260 Liberty Way, Suite E Vista, CA 92081 Phone: 760-727-2360 Fax: 760-434-4766

Website: www.powerlux.com E-mail: klpowerlux@gmail.com

**PowerLux® Products Have Stood the Test of Time!**

Based on prevailing model. Efficiency of the LED driver and efficacy of LED modules are ever improving. Please contact PowerLux® for latest updated information.

170208  
Patents pending  
Specifications subject to change without prior notice  
© 2014-2017 by PowerLux® Corporation. All rights reserved

# PowerLux® Flood-Area LED Luminaire

Catalog#		Type
Project		
Note		Date
Prepared by		

## Mounting Options:



**Die-Cast Curved Arm,  
Mounts Directly to Square Poles  
Includes Hardware.**



**Die-Cast Adaptor for 2 1/2" "  
Horizontal Mounting Arms  
Includes Hardware.**



**Stamped Heavy-Duty Steel Yoke  
Includes Hardware.**



**External Mount Die-Cast Adjustable  
Slip Fitter for 2 1/2" Tennon  
Includes Hardware.**



**Two-Piece Stamped Steel Adjustable Bracket,  
Includes Hardware.**

### **EPA (Effective Projected Area)** Shown with Curved Arm Mounting

Configuration	EPA (Sq. Ft.)	Weight (Lbs.)	Configuration	EPA (Sq. Ft.)	Weight (Lbs.)	Configuration	EPA (Sq. Ft.)	Weight (Lbs.)	Configuration	EPA (Sq. Ft.)	Weight (Lbs.)
1	1.00	33 Lbs	2@180° Mount	2.00	66 Lbs	3@90° Mount	2.20	99 Lbs	4@90° Mount	2.20	132 Lbs
			2@90° Mount	1.36	66 Lbs	3@120° Mount	2.00	99 Lbs			

## PowerLux® Corporation

### U.S. Manufacturer of Sustainable Energy Efficient Lighting Products

1260 Liberty Way, Suite E Vista, CA 92081 Phone: 760-727-2360 Fax: 760-434-4766

Website: [www.powerlux.com](http://www.powerlux.com) E-mail: [klpowerlux@gmail.com](mailto:klpowerlux@gmail.com)

**PowerLux® Products Have Stood the Test of Time!**

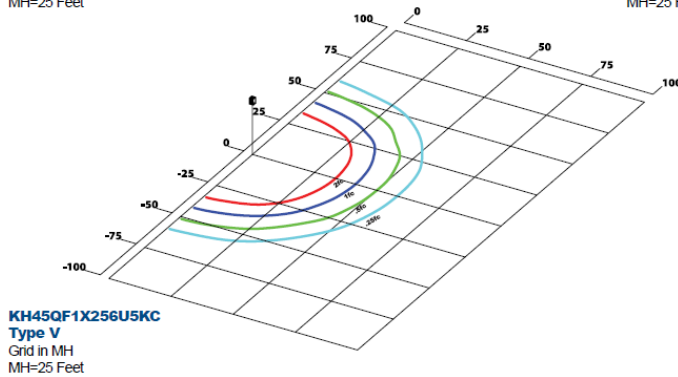
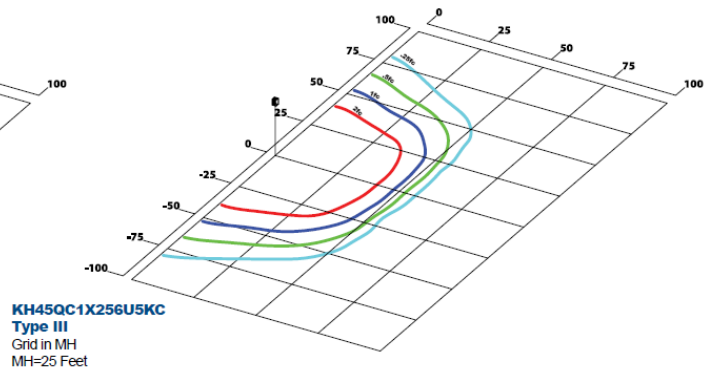
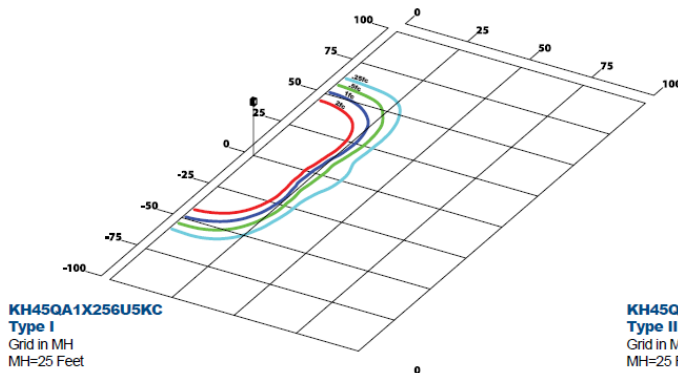
Based on prevailing model. Efficiency of the LED driver and efficacy of LED modules are ever improving. Please contact [PowerLux®](http://www.powerlux.com) for latest updated information.

170208  
Patents pending  
Specifications subject to change without prior notice  
© 2014-2017 by PowerLux® Corporation. All rights reserved

# PowerLux® Flood-Area LED Luminaire

Catalog#		Type
Project		
Note		Date
Prepared by		

## PHOTOMETRICS:



### Photometric Performance

LED Board Watts	Drive Current (mA)	Input Watts	Optics	5000 CCT 80 CRI					4000 CCT 80 CRI				
				Lumens	LPW	B	U	G	Lumens	LPW	B	U	G
167W	525	177	Type I	19,217	109	4	3	2	17,584	99	4	3	2
			Type III	17,538	99	3	3	3	16,047	91	3	3	3
			Type V	19,916	113	4	3	3	18,223	103	4	3	3
256W	525	281	Type I	28,826	103	4	3	3	26,376	89	4	3	3
			Type III	27,357	97	3	3	3	25,032	100	3	3	3
			Type V	30,745	109	5	3	2	28,132	82	5	3	2

PowerLux® Corporation

**U.S. Manufacturer of Sustainable Energy Efficient Lighting Products**

1260 Liberty Way, Suite E Vista, CA 92081 Phone: 760-727-2360 Fax: 760-434-4766

Website: [www.powerlux.com](http://www.powerlux.com) E-mail: [klpowerlux@gmail.com](mailto:klpowerlux@gmail.com)

**PowerLux® Products Have Stood the Test of Time!**

Based on prevailing model. Efficiency of the LED driver and efficacy of LED modules are ever improving. Please contact [PowerLux®](http://www.PowerLux.com) for latest updated information.

170208  
Patents pending  
Specifications subject to change without prior notice  
© 2014-2017 by PowerLux® Corporation. All rights reserved