

PowerLux[®] Ceramic Metal Halide Retrofit Kit (Lamp **NOT** Included)



Mogul adapter



Medium adapter

Available:
60W, 90W, 140W
200-277V only

**Save up to 40% energy over HPS
and up to 50% over MH**

Electronic ballast life up to 80,000 hours

RETROFIT KIT INCLUDES:

- ✓ Philips Advance CosmoPolis Ballast
- ✓ UL Listed Lamp Socket Adapter (medium or mogul)

(Note: Order lamp from Philips authorized distributor)

Dimensions

Ballast:

L=5.9" W=3.5" H=1.6"

Adapter:

Medium Base = 3.11"

Mogul Base = 3.50"

Ordering Information and Selection

Model No.	Wattage	Voltage	Adapter
PCB	60	200-277V	MD= Medium Base MG= Mogul Base
	90		
	140		

Part Number Example: PCB/60/277/MD

Description: PowerLux Ceramic Metal Halide Retrofit Kit. Includes 60W CosmoPolis Advance Electronic Ballast 200-277V and Medium Base Socket Adapter

Catalog #		Type
Project		
Note		Date
Prepared by		

Applications

CosmoPolis Retrofit Kit replaces outdated High Pressure Sodium (HPS), Mercury Vapor (MV) or Metal Halide (MH).

Ideal for architectural facade lighting, street lighting, illumination of pedestrian areas, indoor retail outlets, warehouses or manufacturing facilities.

Specification Features

- The CosmoPolis system simplifies lighting systems with the combination of a miniature lamp and an optimized electronic ballast system
- Easy & low cost way to upgrade & save
- No new luminaire fixture needed
- Superior, long-lasting white light for both indoor and outdoor use
- Efficient electronic ballast uses less energy than magnetic options
- Up to 80,000 hours rated life
- Ballast input: 208V-277V
- 10KV built-in surge protection
- UL recognized
- Sustainability RoHS Compliant
- Transformers available 120:277 and 480:277 (special order only)
- Philips Green Flagship product to minimize environmental impact & CO2 emissions

New lightweight Advance Ballast
vs. Old heavy MH or HID



PowerLux[®] Corporation

U.S. Manufacturer of Sustainable Energy Efficient Lighting Products

1260 Liberty Way, Suite E Vista, CA 92081 Phone: 760-727-2360 Fax: 760-434-4766

Website: www.powerlux.com E-mail: klpowerlux@gmail.com

Based on prevailing models. CosmoPolis ballast and lamps are ever improving. Please refer to Philips technical spec for latest information.

PowerLux Products Have Stood the Test of Time!

Specifications subject to change without prior notice
© 2011-2016 by PowerLux[®] Corporation. All rights reserved

160405

Cosmo Lamp Comparison (For reference only)

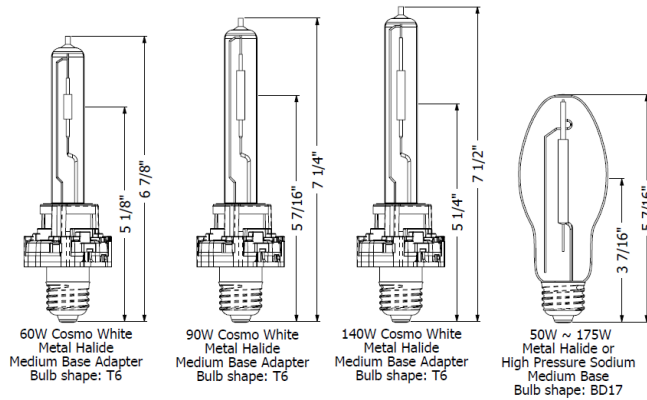
Catalog #		Type
Project		
Note		Date
Prepared by		



Before: 250W HPS



After: 140W CosmoWhite



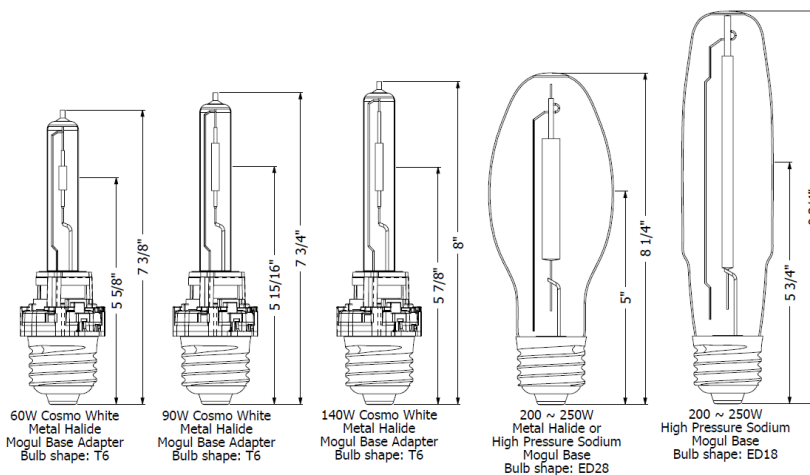
Lumen Output

60W = 7,200 lumens
90W = 10,800 lumens
140W = 17,600 lumens

Power Input (Watts)

60W = 67W
90W = 98W
140W = 153W

CosmoWhite vs. other HID lamp comparisons (medium base adapter)



Consider Replacing

- CosmoWhite 60W:
Instead of HPS 70W, MV/QMH 100W
- CosmoWhite 90W:
Instead of HPS 100W, MV/QMH 175W
- CosmoWhite 140W:
Instead of HPS 150W, MV/QMH 250W

CosmoWhite vs. other HID lamp comparisons (mogul base adapter)

MH and HPS lamps differ depending on manufacturer. Pictures and dimensions are for reference only. Before and after photos courtesy of Philips Lighting. See Philips website for case studies.

PowerLux Corporation

U.S. Manufacturer of Sustainable Energy Efficient Lighting Products

1260 Liberty Way, Suite E Vista, CA 92081 Phone: 760-727-2360 Fax: 760-434-4766

Website: www.powerlux.com E-mail: klpowerlux@gmail.com

Based on prevailing models. CosmoPolis ballast and lamps are ever improving. Please refer to Philips technical spec for latest information.

PowerLux Products Have Stood the Test of Time!

Specifications subject to change without prior notice
© 2011-2016 by PowerLux Corporation. All rights reserved

160405