

PowerLux® Ceramic Metal Halide Retrofit Kit



Available:
60W, 90W, 140W
200-277V only

Save up to 40% energy over HPS
and up to 50% over MH

Electronic ballast life up to 80,000 hours

RETROFIT KIT INCLUDES:

- ✓ Philips Advance CosmoPolis Ballast
- ✓ Philips CosmoWhite Lamp
- ✓ UL Listed Lamp Socket Adapter (medium or mogul)

Dimensions

Ballast:

L=5.9" W=3.5" H=1.6"

Lamp:

60W = 5.20"

90W = 5.63"

140W = 5.79"

Adapter:

Medium Base = 3.11"

Mogul Base = 3.50"

Ordering Information and Selection

Model No.	Wattage	CRI	Lamp CCT	Voltage	Adapter
PCB	60	70	2800K	200-277V	MD= Medium Base MG= Mogul Base
	90				
	140				

Part Number Example: PCB/60/728/277/MD

Description: PowerLux Ceramic Metal Halide Retrofit Kit. Includes 60W Cosmo Advance Electronic Ballast 200-277V, 60W/728 CosmoWhite Lamp and Medium Base Socket Adapter

Catalog #		Type
Project		
Note		Date
Prepared by		

Applications

CosmoPolis Retrofit Kit replaces outdated High Pressure Sodium (HPS), Mercury Vapor (MV) or Metal Halide (MH).

Ideal for architectural facade lighting, street lighting, illumination of pedestrian areas, indoor retail outlets, warehouses or manufacturing facilities.

Ballast Specification Features

- The CosmoPolis system simplifies lighting systems with the combination of a miniature lamp and an optimized electronic ballast system
- Easy & low cost way to upgrade & save
- No new luminaire fixture needed
- Superior, long-lasting white light for both indoor and outdoor use
- Efficient electronic ballast uses less energy than magnetic options
- Up to 80,000 hours rated life
- Ballast input: 208V-277V
- 10KV built-in surge protection
- UL recognized
- Sustainability RoHS Compliant
- Transformers available 120:277 and 480:277 (special order only)

Lamp Specification Features

- Crisp white light improves appearance of buildings and parks
- Stable color performance over entire life
- Lamp CCT: 2800K
- CRI >70
- Rated lamp life: 30,000 hours (horizontal mount)
- 100-110 lumens per system wattage
- Philips Green Flagship product to minimize environmental impact & CO₂ emissions

New lightweight Advance Ballast
vs. Old heavy MH or HID



PowerLux® Corporation

U.S. Manufacturer of Sustainable Energy Efficient Lighting Products

1260 Liberty Way, Suite E Vista, CA 92081 Phone: 760-727-2360 Fax: 760-434-4766

Website: www.powerlux.com E-mail: klpowerlux@gmail.com

Based on prevailing models. CosmoPolis ballast and lamps are ever improving. Please refer to Philips technical spec for latest information.

PowerLux® Products Have Stood the test of Time!

Specifications subject to change without prior notice
© 2011-2016 by PowerLux® Corporation. All rights reserved

160405

Cosmo Lamp Comparison (For reference only)

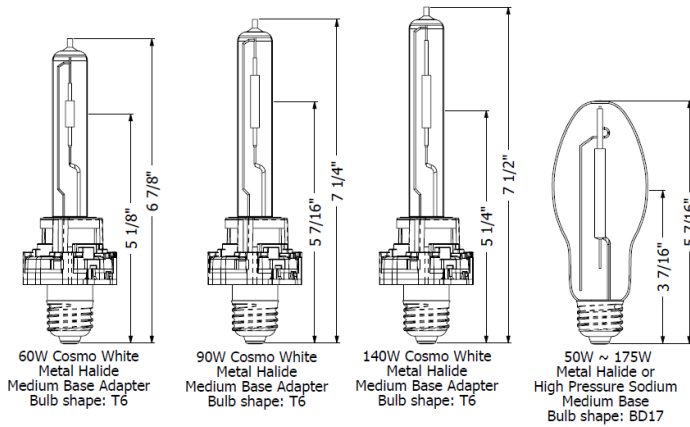
Catalog #		Type
Project		
Note		Date
Prepared by		



Before: 250W HPS



After: 140W CosmoWhite



CosmoWhite vs. other HID lamp comparisons
(medium base adapter)

Lumen Output

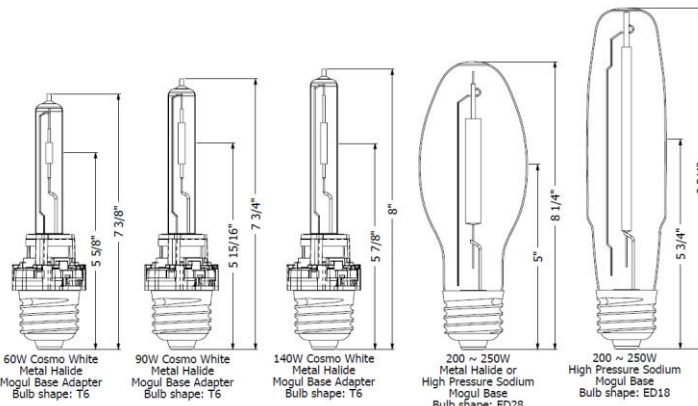
60W = 7,200 lumens
90W = 10,800 lumens
140W = 17,600 lumens

Power Input (Watts)

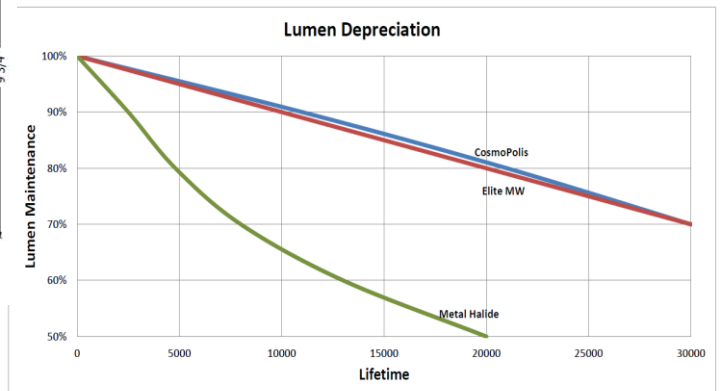
60W = 67W
90W = 98W
140W = 153W

Consider Replacing

- CosmoWhite 60W:
Instead of HPS 70W, MV/MH 100W
- CosmoWhite 90W:
Instead of HPS 100W, MV/MH 175W
- CosmoWhite 140W:
Instead of HPS 150W, MV/MH 250W



CosmoWhite vs. other HID lamp comparisons
(mogul base adapter)



MH and HPS lamps differ depending on manufacturer. Pictures and dimensions are for reference only. Before and after photos courtesy of Philips Lighting. See Philips website for case studies.

PowerLux® Corporation

U.S. Manufacturer of Sustainable Energy Efficient Lighting Products

1260 Liberty Way, Suite E Vista, CA 92081 Phone: 760-727-2360 Fax: 760-434-4766

Website: www.powerlux.com E-mail: klpowerlux@gmail.com

Based on prevailing models. CosmoPolis ballast and lamps are ever improving. Please refer to Philips technical spec for latest information.

PowerLux® Products Have Stood the test of Time!

160405
Specifications subject to change without prior notice
© 2011-2016 by PowerLux® Corporation. All rights reserved