

# PowerLux® eFlexiLite™

## Elite Luminaire

### (One or Two Lamps)



Catalog#		Type
Project		
Note		Date
Prepared by		

Uses Proven Philips MasterColor® CDM Elite

#### APPLICATIONS

For outdoor lighting: walkways, parks, floodlighting of buildings and parking lots.

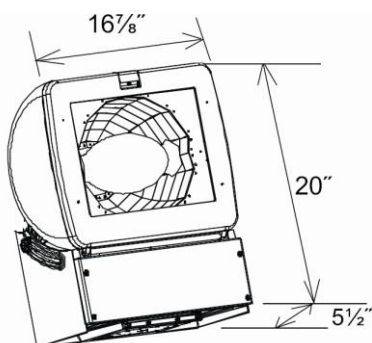
#### PRODUCT DESCRIPTION

PowerLux® eFlexiLite™ Elite is a medium wattage lighting solution based on Philips unique CDM technology. This technology provides high quality and highly efficient white light and consists of a special developed lamp, holder and ballast. It offers an unrivalled level of light quality and performance. Warm lamp reigniting time is specified to be between 10 – 15 minutes. For areas requiring instant re-strike, a **Twin Lamp** luminaire is available. If one lamp turns off, the second lamp turns on within 1 minute.

#### SPECIFICATION FEATURES

- Thermally engineered for sustainable operations designed according to local temperatures
- Die cast housing, front frame and ballast box with a powder coat finish over a chromate conversion coating
- Housing swivels from 0° to 30° and includes angle indicators at adjustment points.
- Hinged front frame and latch for tool-less entry for relamping
- Silicon rubber gasket included to prevent any leakage from the outside
- Tempered glass lens
- Aluminum IES Type V reflector
- Suitable for wet location
- Overall weight is reduced for easy installation and maintenance. Easy hang wall bracket included allows one person mounting
- Optional Square pole tenon adaptor allows installation of 1 – 4 fixtures
- Efficient electronic ballast that uses less energy than magnetic options
- Available in 210W or 315W, 1-10V, 50% load dimmable ballast; up to 80,000 hours life
- 93% efficiency for electronic ballast; Ballasts give ignition pulses of 4 kV maximum
- Surge protection (100 kHz ring wave) of 6 kV
- Color Rendering Index CRI 90+
- Compact lamp design in combination with accurate lamp fixation, enabling high optical efficiencies
- Excellent color quality and consistent light output from beginning to end
- Lamp efficacy: 210W, 108 lm/w and 315W, 113 lm/w
- Light output: (3000K) 210W = 24150lm 315W = 38700lm  
(4200K) 210W = 23000lm 315W = 35500lm
- Average lamp life: 30,000 hours (315W) and 27,000 hours (210W)
- The shaped Elite lamp arc tube is optimized for short arc length and lifetime performance.
- Viable alternative to fluorescent options; significant upgrade opportunity over traditional HID systems
- Part of Philips Green Flagship product line to minimize environmental impact and CO<sub>2</sub> emissions

#### FIXTURE DIMENSIONS



#### IES FILE PHOTOMETRIC DATA

Available upon request

#### PACKING DATA

Carton size: 19"x10"x23" Weight: 38 lbs

#### ORDERING INFORMATION & SELECTION

Model No.	Lamp	Wattage	Lamp Kelvin	Voltage	Mounting Device
PF	Single (S)	210W	930	120V *	Slip Fitter (SF)
	Twin (T)	315W	942	277V	Mounting Arm (MA) 6", 10" 12" or 18"
				480V *	Square Pole Tenon Adaptor (PTA)

\*with transformer

Part Number Example: PFS/315/930/277/TF

Description: PowerLux eFlexiLite Elite Luminaire 315W 3000K 200-277V with 480V:277V transformer

### PowerLux® Corporation

#### U.S. Manufacturer of Sustainable Energy Efficient Lighting Products

1260 Liberty Way, Suite E Vista, CA 92081 Phone: 760-727-2360 Fax: 760-434-4766

Website: www.powerlux.com E-mail: klpowerlux@gmail.com