

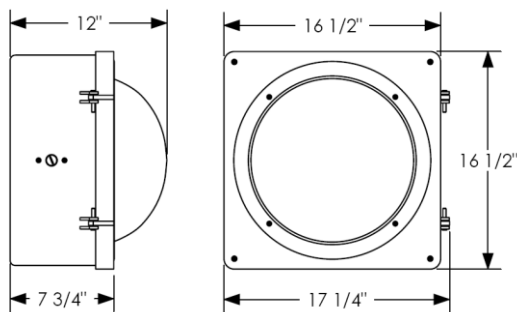
PowerLux® iAllMighty™

Induction Luminaire



85W Induction 100-120V, 200-277V
165W Induction 100-120V, 200-277V

FIXTURE DIMENSIONS



PHOTOMETRICS

IES files available upon request

PACKING DATA

Carton size: 19"x15"x22" Weight: 33 lbs (165W)
31 lbs (85W)

ORDERING INFORMATION

Model No.	Wattage	Lamp Kelvin	Voltage	Finish
PAM161612	85	830	100-120V	Black (BK)
	165	840	200-277V	White (WH)
		850		

Part Number Example: PAM161612/85/850/277/BK

Description: PowerLux iAllMighty Induction Luminaire 85W 5000K 200-277V with Black Finish

Catalog#		Type
Project		
Note		Date
Prepared by		

PROVEN QL INDUCTION LIGHTING TECHNOLOGY WORLDWIDE SINCE 1992

APPLICATIONS

- For parking areas, entrances, walkways, underpasses, loading docks, service stations and recreation areas.

SPECIFICATION FEATURES

- Proven 100,000 hours rated lamp life
- Instant ON and instant re-strike with back-to-full brightness feature
- CRI >80 White light no color shift, no flickering
- Power factor >.90
- Bi-level dimming ballast 50% power reducer to save energy during inactive times. Works with 0-10V control
- Thermally engineered for sustainable operation designed according to local temperatures
- Heavy duty die-cast aluminum housing with high impact/heat resistant borosilicate glass for ultimate light distribution
- Available in Black or White powder coated finish
- Silicon rubber gasket
- Aluminum reflector designed for maximum photometric efficiency and optimum light distribution
- Cut-off distribution complies with Dark Sky compliance
- 1/2" tapped holes available for installing photocell and motion sensor in the field
- UL listed for wet location
- Ingress protection IP65
- EPA-Effective Projected Area: 0.07 m²
- Perfect replacement for HPS and MH HID light sources
- Overall weight is reduced for easy installation and maintenance
- Manufactured in the U.S.A.

PowerLux® Corporation

US Manufacturer of Sustainable Energy Efficient Lighting Products
Induction Lighting Proven Success Since 1999

1260 Liberty Way, Suite E Vista, CA 92081 Phone: 760-727-2360 Fax: 760-434-4766
Website: www.powerlux.com E-mail: klpowerlux@gmail.com

PowerLux® Products Have Stood the Test of Time!

131007
Patents pending
Specifications subject to change without prior notice
© 2010 by PowerLux® Corporation. All rights reserved