

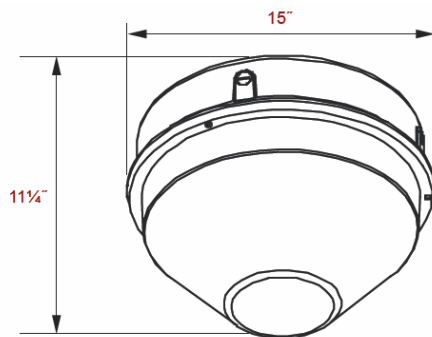
PowerLux® iConeLite

Induction Luminaire



55W QL Induction 100-120V, 200-277V
85W QL Induction 100-120V, 200-277V

FIXTURE DIMENSIONS



IES FILE PHOTOMETRIC DATA

Available upon request

PACKING DATA

Carton size: 16"x13"x10" Weight: 14 lbs

ORDERING INFORMATION

Model No.	Wattage	Lamp Kelvin	Voltage
PCL	55	830	100-120V
	85	840	200-277V
		850	

Part Number Example: PCL/85/850/277

Description: PowerLux iConeLite Induction Luminaire 85W 5000K 200-277V

Catalog#		Type
Project		
Note		Date
Prepared by		

**PROVEN QL INDUCTION LIGHTING TECHNOLOGY
WORLDWIDE SINCE 1992**

APPLICATIONS

- For surface mount, indoor & outdoor lighting, parking garages, canopies and walkways

SPECIFICATION FEATURES

- PROVEN 100,000 hours QL induction rated life
- Instant ON and instant re-strike with back-to-full brightness feature
- CRI >80 White light no color shift
- Available in 3000K, 4000K and 5000K
- Economic, environment-friendly lighting in situations with long burning hours
- 2-level dimming generator 50% power reducer to save energy during inactive times. Works with 0-10V control and sensor system.
- Available in 100-120V or 200-277V
- Input frequency – 50/60Hz; No audible noise rating
- Power factor >.90
- Thermally engineered for sustainable operations designed according to local temperatures
- One piece die-cast aluminum housing with powder coated bronze paint finish
- White powdercoat steel reflector designed for maximum photometric efficiency and optimum light distribution
- Clear prismatic polycarbonate lens
- Conduit mount and suspended pendant mount
- 1/2" tapped holes available for installing photocell and motion sensor in the field
- UL listed for wet location
- Overall weight is reduced for easy installation and maintenance

Other Features

- Manufactured in the U.S.A.
- Exclusive 10-year QL warranty

PowerLux® Corporation

U.S. Manufacturer of Sustainable Energy Efficient Lighting Products
Induction Lighting Proven Success Since 1999

1260 Liberty Way, Suite E Vista, CA 92081 Phone: 760-727-2360 Fax: 760-434-4766

Website: www.powerlux.com E-mail: klpowerlux@gmail.com

PowerLux® Products Have Stood the Test of Time!