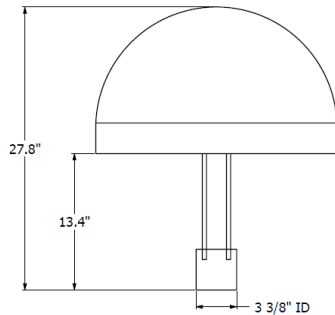


PowerLux® iDomeLite™
Induction Luminaire



85W Induction 100-120V, 200-277V
 165W Induction 100-120V, 200-277V

FIXTURE DIMENSIONS



PHOTOMETRICS

IES files available upon request

PACKING DATA

Carton size: 25"x25"x30" Weight: 43 lbs (165W)
 41 lbs (85W)

ORDERING INFORMATION & SELECTION:

Model No.	Wattage	CCT	Voltage	Housing Color
PD	85 165	827	120=100-120V 277=200-277V	BR=Bronze BL=Black GR=Grey
		830		
		840		
		850		

Part Number Example: PD/165/850/277/BR

Description: PowerLux iDomeLite Induction Luminaire 165W 5000K 200-277V, Bronze Housing

Catalog#		Type
Project		
Note		Date
Prepared by		

**PROVEN QL INDUCTION LIGHTING
 TECHNOLOGY WORLDWIDE SINCE 1992**

APPLICATIONS

For parking areas, walkways and recreation areas.
 Perfect replacement for HPS and MH HID light sources

SPECIFICATION FEATURES

- Proven 100,000 hours rated lamp life
- Instant ON and instant re-strike with back-to-full brightness feature
- CRI >80 White light no color shift, no flickering
- Power factor >.90
- Bi-level dimming ballast 50% power reducer to save energy during inactive times. Works with 0-10V control
- Thermally engineered for sustainable operation designed according to local temperatures
- Heavy duty die-cast bronze aluminum housing
- Vandal resistant polycarbonate lens with stainless steel screws
- Silicon rubber gasket for weather seal
- Aluminum reflector designed for maximum photometric efficiency and optimum light distribution
- Cut-off distribution complies with Dark Sky compliance
- UL listed for wet location
- Ingress protection IP65
- Overall weight is reduced for easy installation and maintenance
- Available in bronze, black or grey
- Manufactured in the U.S.A.

PowerLux® Corporation

U.S. Manufacturer of Sustainable Energy Efficient Lighting Products
Induction Lighting Proven Success Since 1999

1260 Liberty Way, Suite E Vista, CA 92081 Phone: 760-727-2360 Fax: 760-434-4766
 Website: www.powerlux.com E-mail: klpowerlux@gmail.com

PowerLux® Products Have Stood the Test of Time