

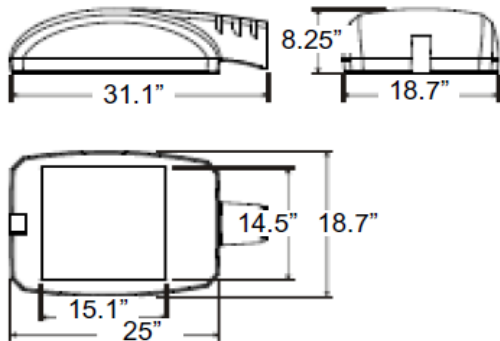
PowerLux® iGoGreenLite™ Max Induction Luminaire

Catalog#		Type
Project		
Note		Date
Prepared by		



55W Induction 100-120V, 200-277V
 85W Induction 100-120V, 200-277V
 165W Induction 100-120V, 200-277V

FIXTURE DIMENSIONS



PROVEN QL INDUCTION LIGHTING TECHNOLOGY WORLDWIDE SINCE 1992

APPLICATIONS

- For street and parking lot lighting

SPECIFICATION FEATURES

- Up to 100,000 Hours rated lamp life
- Instant ON and instant re-strike
- CRI >80 White light no color shift
- Thermally engineered for sustainable operation designed according to local temperatures
- Die-cast aluminum housing with powder coated bronze paint finish
- *Custom color available on request
- Safety tempered glass lens
- Silicon rubber gasket
- Aluminum reflector designed for maximum photometric efficiency and optimum light distribution
- Cut-off distribution complies with Dark Sky Ordinance
- Adjustable reflector and Induction Coupler construction for easy installation and maintenance (patent pending)
- EPA 1.4 sq. ft. Aerodynamic shape reduces wind load saves pole cost
- UL listed for wet location available
- Overall weight is reduced for easy installation and maintenance
- Manufactured in the U.S.A.
- 2-level dimming ballast 50% power reducer to save energy during inactive times. Works with 0-10V control (Special Order Only)

IES FILE PHOTOMETRIC DATA

Available upon request

PACKING DATA

Carton size: 32"x20"x10" Weight: 40 lbs (165W); 38 lbs (85W); 37 lbs (55W)

ORDERING INFORMATION & SELECTION

Model No.	Wattage	Lamp Kelvin (S/P Ratio)	Voltage	Dimming
PGX	55	830 (1.35)	100-120V	DM(2-level)
	85	840 (1.62)	200-277V	
	165	850 (1.96)		

Part Number Example: PGX165/850/277

Description: PowerLux iGoGreenLite Max Induction Luminaire 165W 5000K 200-277V

Latch System



Hinged & Removable Door



PowerLux® Corporation

US Manufacturer of Sustainable Energy Efficient Lighting Products
 Induction Lighting Proven Success Since 1999

1260 Liberty Way, Suite E Vista, CA 92081 Phone: 760-727-2360 Fax: 760-434-4766
 Website: www.powerlux.com E-mail: klpowerlux@gmail.com

PowerLux® Products Have Stood the Test of Time!