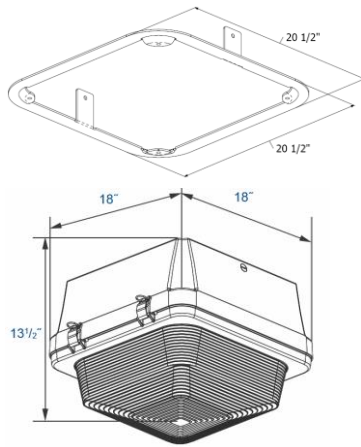


PowerLux® iMighty™ Induction Luminaire



85W Induction 100-120V, 200-277V
165W Induction 100-120V, 200-277V

FIXTURE DIMENSIONS



Optional Trim Ring
for recessed mounting

PHOTOMETRICS

IES files available upon request

PACKING DATA

Carton size: 22"x22"x17" Weight: 40 lbs (165W)
38 lbs (85W)

Trim Ring

Carton 21"x21"x5" Weight: 5 lbs

ORDERING INFORMATION

Model No.	Wattage	Lamp Kelvin	Voltage	Trim Ring
PM181814	85	830	100-120V	TR
	165	840	200-277V	
		850		

Part Number Example: PM181814/165/850/277/TR

Description: PowerLux iMighty Induction Luminaire 165W 5000K 200-277 with Trim Ring

Catalog#		Type
Project		
Note		Date
Prepared by		

**PROVEN QL INDUCTION LIGHTING
TECHNOLOGY WORLDWIDE SINCE 1992**

APPLICATIONS

- For gas stations, parking areas, entrances, walkways, underpasses, loading docks, and recreation areas.

SPECIFICATION FEATURES

- Proven 100,000 hours rated lamp life
- Instant ON and instant re-strike with back-to-full brightness feature
- CRI >80 White light no color shift, no flickering
- Power factor >.90
- Bi-level dimming ballast 50% power reducer to save energy during inactive times. Works with 0-10V control
- Thermally engineered for sustainable operation designed according to local temperatures
- Die-cast aluminum housing with powder coated white paint finish. 1/2" tapped holes available for installing photocell and motion sensor in the field
- Cast-in Template for Mounting Directly Over a 4" Recessed Outlet Box, or Use 1/2" Surface Conduit. (Optional Trim Ring Available)
- High impact/heat resistant prismatic borosilicate glass for ultimate light distribution.
- Safety cable restraint
- Two stainless steel latches for tool-less entry for easy maintenance.
- White powder coated reflector designed for maximum photometric efficiency and optimum light distribution
- Silicon rubber gasket
- UL listed for wet location, Ingress protection IP65
- Perfect replacement for HPS, MH HID & LED light sources
- Overall weight is reduced for easy installation and maintenance
- Manufactured in the U.S.A.

PowerLux® Corporation

**US Manufacturer of Sustainable Energy Efficient Lighting Products
Induction Lighting Proven Success Since 1999**

1260 Liberty Way, Suite E Vista, CA 92081 Phone: 760-727-2360 Fax: 760-434-4766
Website: www.powerlux.com E-mail: klpowerlux@gmail.com

PowerLux® Products Have Stood the Test of Time!

131007
Patents pending
Specifications subject to change without prior notice
© 2010 by PowerLux® Corporation. All rights reserved