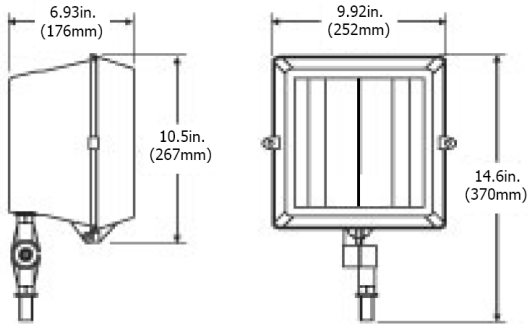


# PowerLux® iMiniSquare Flood™ Induction Luminaire



55W QL Induction 100-120V, 200-277V

## FIXTURE DIMENSIONS



## IES FILE PHOTOMETRIC DATA

Available upon request

## PACKING DATA

Carton size: 12" x 12" x 8" Weight 10 lbs

## ORDERING INFORMATION and SELECTION

Model No.	Wattage	Lamp Kelvin	Voltage
PMSF	55	830	100-120V
		840	200-277V
		850	

Part Number Example: PMSF55/840/277

Description: PowerLux iMiniSquare Flood Induction Luminaire 55W 4000K 200-277V

Catalog#		Type
Project		
Note		Date
Prepared by		

**PROVEN QL INDUCTION LIGHTING TECHNOLOGY  
WORLDWIDE SINCE 1992**

## APPLICATIONS

Ideal for facades, signboards, parks, backyards and other general applications where floodlighting may come into use.

## HOUSING SPECIFICATION FEATURES

- Proven 100,000 hours rated lamp life
- Instant ON and instant re-strike with back-to-full brightness feature
- CRI >80 White light no color shift, no flickering
- Power factor >.90
- Bi-level dimming ballast 50% power reducer to save energy during inactive times. Works with 0-10V control
- Thermally engineered for sustainable operation designed according to local temperatures
- Die-cast aluminum housing with powder coated finish
- Heat and impact resistant tempered glass
- Silicone rubber gasket
- Anodized high purity aluminum reflector
- Includes adjustable knuckle bracket
- Vandal Shield available (special order only)
- UL listed for wet locations
- Perfect replacement for HPS and MH HID light sources
- Overall weight is reduced for easy installation and maintenance
- Manufactured in the U.S.A.
- Exclusive 10-year QL warranty



Vandal Shield

## PowerLux® Corporation

**U.S. Manufacturer of Sustainable Energy Efficient Lighting Products  
Induction Lighting Proven Success Since 1999**

1260 Liberty Way, Suite E Vista, CA 92081 Phone: 760-727-2360 Fax: 760-434-4766  
Website: www.powerlux.com E-mail: klpowerlux@gmail.com

**PowerLux® Products Have Stood the Test of Time!**

140501  
Patents pending  
Specifications subject to change without prior notice  
© 2010 by PowerLux® Corporation. All rights reserved