

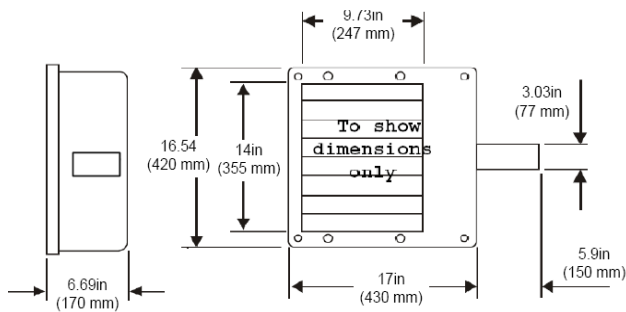
PowerLux® iShoeBox™ Induction Luminaire



Shown with Pole Mount

55W Induction 100-120V, 200-277V
85W Induction 100-120V, 200-277V
165W Induction 100-120V, 200-277V

FIXTURE DIMENSIONS



IES FILE PHOTOMETRIC DATA

Available upon request

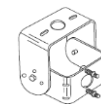
PACKING DATA

Carton size: 19"x10"x22"

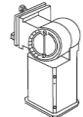
Weight: 26 lbs (165W); 23 lbs (85W); 21 lbs (55W)

ORDERING INFORMATION & SELECTION

Model No.	Wattage	CCT	Voltage	Mounting Device
PSB	55	827	100-120V	Pole Mount Square (PM6 or PM10)
	85	830		Pole Mount Round (PMR)
	165	840	200-277V	Slip Fitter (SF)
		850		Trunnion Mount (TR)



Trunnion Mount



Slip Fitter Mount

Part Number Example PSB/165/850/120/SF

Description: PowerLux® iShoeBox Induction Luminaire 165W, 5000K, 100-120V, Slip Fitter

Catalog#		Type
Project		
Note		Date
Prepared by		

**PROVEN QL INDUCTION LIGHTING TECHNOLOGY
WORLDWIDE SINCE 1992**

APPLICATIONS

- For street and parking lot lighting

SPECIFICATION FEATURES

- Proven 100,000 hours rated lamp life
- Instant ON and instant re-strike with back-to-full brightness feature
- CRI >80 White light no color shift, no flickering
- Power factor >.90
- Die-cast aluminum housing with powder coated bronze or white paint finish
- Safety tempered glass lens
- Silicon rubber gasket
- Aluminum reflector designed for maximum photometric efficiency and optimum light distribution
- Cut-off distribution complies with Dark Sky compliance when mounted horizontally
- UL listed for wet location
- Perfect replacement for HPS and MH HID light sources
- Overall weight is reduced for easy installation and maintenance
- Manufactured in the U.S.A.
- Mounting Accessories:
 - Pole Mount (Round or Square Pole 6" or 10" in length)
 - Slip Fitter (Pole O.D. 2.4"; adjusts 180 degrees)
 - Trunnion (Adjusts 180 degrees and can be locked)
- Bi-level dimming ballast 50% power reducer to save energy during inactive times. Works with 0-10V control

PowerLux® Corporation

U.S. Manufacturer of Sustainable Energy Efficient Lighting Products
Induction Lighting Proven Success Since 1999

1260 Liberty Way, Suite E Vista, CA 92081 Phone: 760-727-2360 Fax: 760-434-4766

Website: www.powerlux.com E-mail: klpowerlux@gmail.com

PowerLux® Products Have Stood the Test of Time!

170215
 Patents pending
 Specifications subject to change without prior notice
 © 2010-2017 by PowerLux® Corporation. All rights reserved