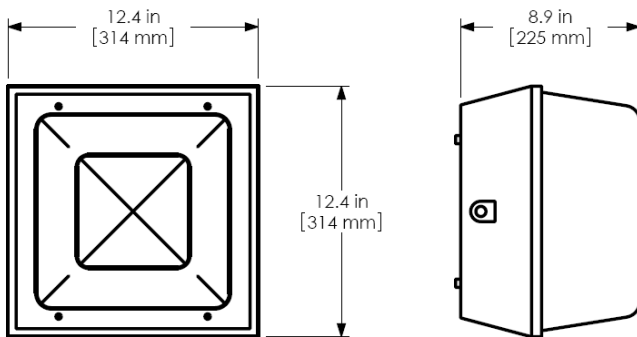


PowerLux® iSquareLite™
Induction Luminaire



55W QL Induction 100-120V, 200-277V
85W QL Induction 100-120V, 200-277V

FIXTURE DIMENSIONS



PHOTOMETRIC

IES files available upon request

PACKING DATA

Carton size: 13"x13"x10" Weight: 12 lbs. (85W)
 11 lbs (55W)

ORDERING INFORMATION

| Model No. | Wattage | CCT | Voltage |
|-----------|----------|-----|------------------------------|
| PSM12129 | 55 85 | 830 | 120=100-120V 277=200-277V |
| | | 840 | |
| | | 850 | |

Part Number Example: PSM12129/55/840/277

Description: PowerLux® iSquareLite Induction Luminaire 55W 4000K 200-277V

| | | |
|-------------|--|------|
| Catalog# | | Type |
| Project | | |
| Note | | Date |
| Prepared by | | |

PROVEN QL INDUCTION LIGHTING TECHNOLOGY
WORLDWIDE SINCE 1992

APPLICATIONS

- For surface mount, indoor & outdoor lighting, parking garages, canopies and walkways

SPECIFICATION FEATURES

- Proven 100,000 hours rated lamp life
- Delivered Lumens: 55W=3650
85W=6200
- Instant ON and instant re-strike with back-to-full brightness feature
- CRI >80 White light no color shift, no flickering
- Power factor >.90
- Thermally engineered for sustainable operations designed according to local temperatures
- One piece die-cast aluminum housing with powder coated bronze paint finish
- Silicon rubber gasket included to prevent any leakage from the outside
- White reflector designed for maximum photometric efficiency and optimum light distribution
- Safety polycarbonate UV resistant lens
- Wrap around lens for low glare, eliminates dark ceiling and cave effect
- Conduit mount and suspended pendant mount
- ½" tapped holes available for installing photocell and motion sensor in the field
- UL listed for wet location; Ingress protection IP65
- Vandal proof screws available (Special order only)
- Overall weight is reduced for easy installation and maintenance



PowerLux® Corporation

U.S. Manufacturer of Sustainable Energy Efficient Lighting Products
Induction Lighting Proven Success Since 1999

1260 Liberty Way, Suite E Vista, CA 92081 Phone: 760-727-2360 Fax: 760-434-4766

Website: www.powerlux.com E-mail: klpowerlux@gmail.com

PowerLux® Products Have Stood the Test of Time!