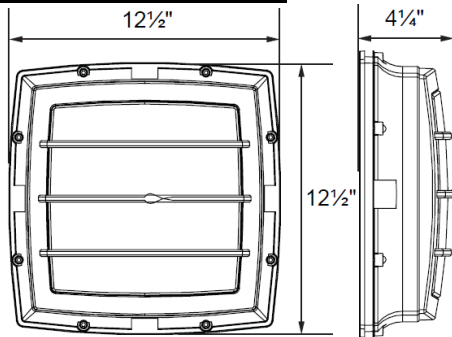


PowerLux® Corporation

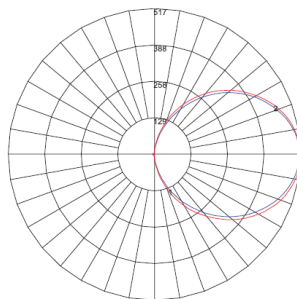
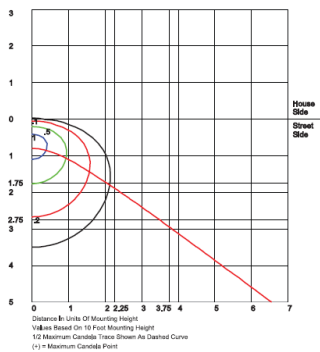
12in Square Grid Frame Wall Pack LED Luminaire



FIXTURE DIMENSIONS:



PHOTOMETRIC DATA:



ORDERING INFORMATION

Model No.	Color	Wattage	CCT	Input Voltage	Additional Options
PLED12SGFWP	Z=Bronze B=Black W=White G=Grey C=Custom	17W	4K=4000K 5K=5000K	U=120-277V	SF= Single Fuse DF=Double Fuse SP=Surge Protector PC=Photocell BU=Battery Backup (90 mins)

Part Number Example: PLED12SGFWP/Z/17/5K/U/PC

Description: PowerLux® LED 12in Square Grid Frame Wall Pack, Bronze, 17W, 5000 Kelvin, 120-277V with Photo Cell

Catalog#		Type
Project		
Note		Date
Prepared by		

APPLICATIONS

Typical applications include office and public buildings, condominiums, schools, shopping malls, and hospitality. Recommended mounting heights are 8 to 20 feet. It is designed to replace HID lighting systems up to 100W MH or HPS. The Grid Frame helps protect the polycarbonate lens and adds a decorative appearance.

HOUSING FEATURES:

- Die Cast Gasketed Aluminum Grid Front Frame and Housing with Integral Heat Sinking and Driver Compartment.
- Nickel-Plated Stainless Steel Hardware.
- Photocell Adaptable.

FINISH:

Textured Powdercoat Finish Over a Chromate Conversion Coating. Custom Colors Available Upon Request.

LENS:

LumaLens Polycarbonate Opal Lens eliminates LED hot spots.

Mounting:

Surface Mount. Recommended mounting heights are 8 to 20 feet.

LED ARRAY FEATURES:

- Type IV optics distribution
- CCT available: 4000K and 5000K
- CRI: 80
- Delivered Lumens: 4000K=1,247; 5000K=1,363
- Calculated L70 Rated Life at 25°C: 187,000hrs
- 5-Year warranty

WATTAGE:

- Array: 17W, System: 19.7W (Up to 100W HID equivalent)

LED DRIVER:

Dimmable Electronic Driver, 120-277V, 50/60Hz

Listing & Rating

- CSA: Listed for wet locations
- Operating temperatures: -40°C to +50°C
- IP67 Sealed LED Compartment

Assembled in the USA

PowerLux® Corporation

U.S. Manufacturer of Sustainable Energy Efficient Lighting Products

1260 Liberty Way, Suite E Vista, CA 92081 Phone: 760-727-2360 Fax: 760-434-4766

Website: www.powerlux.com E-mail: klpowerlux@gmail.com

PowerLux® Products Have Stood the Test of Time!

Based on prevailing model. Efficiency of the LED driver and efficacy of LED modules are ever improving. Please contact PowerLux® for latest updated information.

161107
Patents pending
Specifications subject to change without prior notice
© 2015-2016 by PowerLux® Corporation. All rights reserved