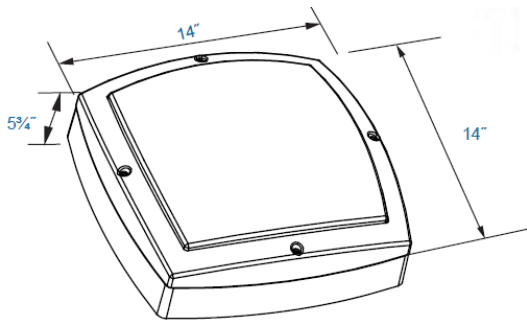


PowerLux® Corporation

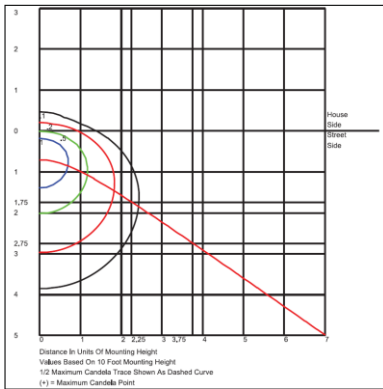
14in Square Open Frame Wall Pack LED Luminaire



FIXTURE DIMENSIONS:



PHOTOMETRIC DATA:



ORDERING INFORMATION

Model No.	Color	Lens	Wattage	CCT	Input Voltage	Additional Options
PLED14SOFWP	B=Bronze W=White	L=LED Opal Lens O=Standard Opal Lens	23W	5000K	120-277V	SF= Single Fuse DF=Double Fuse

Part Number Example: PLED14SOFWP/B/L/23/5000K/120-277/SF

Description: PowerLux LED 14in Square Open Frame Wall Pack, Bronze, LED Opal Polycarbonate Lens, 23W, 5000 Kelvin, 120-277V with Single Fuse

Catalog#		Type
Project		
Note		Date
Prepared by		

APPLICATIONS

For parking areas, walkways, loading docks, tunnels, entrances, underpasses, recreation areas, area lighting, and urban lighting

HOUSING FEATURES:

- Die cast aluminum housing & open front frame with gasket
- Textured powder coat finish over a chromate conversion coating
- Available in Bronze or White. Custom colors upon request

LENS:

LumaLens LED Opal Polycarbonate Lens or Standard Opal Polycarbonate Lens

Mounting:

Surface Mount

LED ARRAY FEATURES:

- Array lumens: 3276
- Delivered lumens: 2013
- CRI: 85
- CCT: 5000K
- Rated Life: 50,000 hours
- 5-Year warranty

WATTAGE:

- Array: 22.7W, System: 27.2W

LED DRIVER:

Dimmable Electronic Driver, 120-277V, 50/60Hz

Listing & Rating

- CSA: Listed for wet locations , Wall Mount Only

Assembled in the USA

PowerLux® Corporation

U.S. Manufacturer of Sustainable Energy Efficient Lighting Products

1260 Liberty Way, Suite E Vista, CA 92081 Phone: 760-727-2360 Fax: 760-434-4766

Website: www.powerlux.com E-mail: klpowerlux@gmail.com

PowerLux® Products Have Stood the Test of Time!

Based on prevailing model. Efficiency of the LED driver and efficacy of LED modules are ever improving. Please contact PowerLux® for latest updated information.

160323
Patents pending
Specifications subject to change without prior notice
© 2015-2016 by PowerLux® Corporation. All rights reserved