

# PowerLux® Architectural LED Flood Luminaire

Catalog#		Type
Project		
Note		Date
Prepared by		



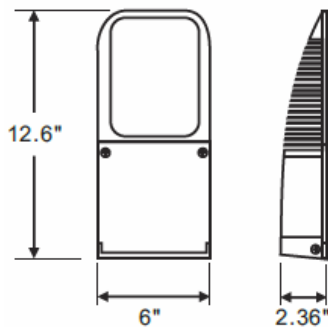
## APPLICATIONS

For streets, parks, warehouse, hotels, entry-ways

## SPECIFICATION FEATURES

- Dark Bronze die-cast aluminum housing with UV resistant powder coated finish
- Sealed to the environment for long reliable service life
- UL listed
- Perfect replacement for HPS and MH HID light sources

## FIXTURE DIMENSIONS



## LED SYSTEM FEATURES

- Highest quality long life LEDs
- Thermally designed for long life using Cree LED
- Low lumen depreciation
- Available in:
  - 12W (system wattage) 748 delivered lumens
  - 20W (system wattage) 1460 delivered lumens
- Efficacy: 74lm/w
- Low starting temp -30°C
- CRI > 75
- Color temperature 4700K
- IC current controlled LED circuits

## IES FILE PHOTOMETRIC DATA

Available upon request

## ORDERING INFORMATION

Model No.	Wattage	Lumens	Color Temp	Input Voltage
PLEDAF4	12W	748	4700K	120-277V
	20W	1460		

Part Number Example: PLEDAF4/748/747/120-277

Description: PowerLux Architectural LED Flood Luminaire 12W, 748lm, 4700K, 120-277V

## PowerLux® Corporation

U.S. Manufacturer of Sustainable Energy Efficient Lighting Products

1260 Liberty Way, Suite E Vista, CA 92081 Phone: 760-727-2360 Fax: 760-434-4766

Website: www.powerlux.com E-mail: klpowerlux@gmail.com

Based on prevailing model. Efficiency of ballast and efficacy of LED modules are ever improving. Please contact PowerLux® for latest updated information.

**PowerLux® Products Have Stood the Test of Time!**

140502  
Patents pending  
Specifications subject to change without prior notice  
© 2011 by PowerLux® Corporation. All rights reserved