

PowerLux® Architectural LED Flood and Area Luminaire



Catalog#		Type
Project		
Note		Date
Prepared by		

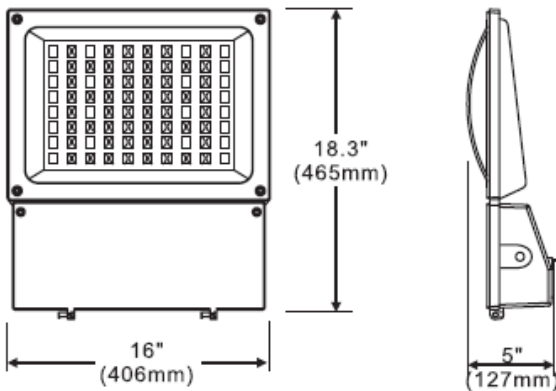
APPLICATIONS

For streets, parking lots, parks, or for general illumination

SPECIFICATION FEATURES

- Can be used as a Flood light or an Area light
- Dark Bronze die-cast aluminum housing with powder coated finish
- Built in heat sinks on back of luminaire to keep LED's at cool temperature
- Heat and impact resistance tempered glass
- UL listed for wet locations, IP65 Rated
- Manufactured in the U.S.A.
- Mounting Devices:
Pole Mount (Round or Square Pole 6" or 10" in length)
Slip Fitter (Pole O.D. 2.4"; adjusts 180 degrees)
Trunnion (Adjusts 180 degrees and can be locked)

FIXTURE DIMENSIONS



IES FILE PHOTOMETRIC DATA

Available upon request

PACKING DATA

Carton size: 17"x 25" x 8" Weight 17 lbs

ORDERING INFORMATION

Model No.	Wattage/Lumens	CCT	Voltage	Mounting Device
PLEDAFA	113W/8655	730	120-277V	Slip Fitter (SF)
		740		Trunnion Mount (TR)
	188W/14140	747		Pole Mount Square (PM6 or PM10)
		750		Pole Mount Round (PMR)

Part Number Example: PLEDAFA/188/14140/747/120-277/SF

Description: PowerLux Architectural LED Flood and Area Luminaire 188W, 14140lm, 4700K, 120-277V with Slip Fitter

LED SYSTEM FEATURES

- Highest quality long life LEDs
- Thermally designed for long life using Cree LED
- Low starting temperature -40°C
- Efficacy: 75lm/w
- CRI > 70+
- Color temperature: 3000K, 4000K, 4700K, 5000K
- IC current controlled LED circuits
- 2-level dimmable driver up to 80% power reducer to save energy during inactive times. Works with 0-10V control and sensor system
- DLC listed as: FLL-560P

5-year limited manufacturer warranty

Mounting Devices:



Slipfitter



Trunnion



Pole mount

PowerLux® Corporation

U.S. Manufacturer of Sustainable Energy Efficient Lighting Products

1260 Liberty Way, Suite E Vista, CA 92081 Phone: 760-727-2360 Fax: 760-434-4766

Website: www.powerlux.com E-mail: klpowerlux@gmail.com

PowerLux® Products Have Stood the Test of Time!

Based on prevailing model. Efficiency of ballast and efficacy of LED modules are ever improving. Please contact PowerLux® for latest updated information.

PowerLux® Products Have Stood the Test of Time!

141112
Patents pending
Specifications subject to change without prior notice
© 2014 by PowerLux® Corporation. All rights reserved