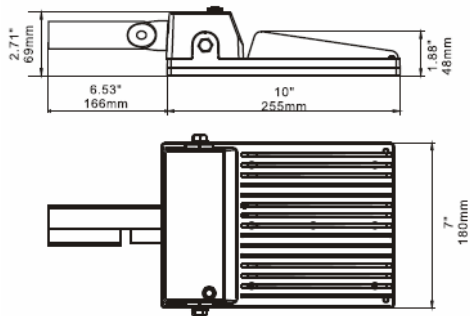


PowerLux® Architectural LED Street and Area Luminaire



FIXTURE DIMENSIONS



IES FILE PHOTOMETRIC DATA

Available upon request

PACKING DATA

Carton size: 10"x 5" x 15" Weight 15 lbs

ORDERING INFORMATION

Model No.	Wattage	Lumens	Color Temp	Input Voltage	Mounting
PLEDASA	48	4350	4700K	120-277V	U-bracket (U)
					Slip Fitter (SF)

Part Number Example: PLEDASA/4350/747/120-277/U

Description: PowerLux Architectural LED Street and Area Luminaire 48W, 4350lm, 4700K, 120-277V with U-bracket



PowerLux® Corporation

U.S. Manufacturer of Sustainable Energy Efficient Lighting Products

1260 Liberty Way, Suite E Vista, CA 92081 Phone: 760-727-2360 Fax: 760-434-4766

Website: www.powerlux.com E-mail: klpowerlux@gmail.com

Based on prevailing model. Efficiency of ballast and efficacy of LED modules are ever improving. Please contact [PowerLux](http://www.powerlux.com) for latest updated information.

PowerLux® Products Have Stood the Test of Time!

140430
Patents pending
Specifications subject to change without prior notice
© 2011 by PowerLux® Corporation. All rights reserved

Catalog#		Type
Project		
Note		Date
Prepared by		

APPLICATIONS

For streets, parks, warehouse, hotels, entry-ways or for general illumination

SPECIFICATION FEATURES

- Can be used as an area or flood light
- Dark Bronze die-cast aluminum housing with powder coated finish
- Draft angle for water to run off
- Optional photo-sensor
- Can be mounted using U-bracket or Slip Fitter
- DLC pending

LED SYSTEM FEATURES

- Highest quality long life LEDs
- Thermally designed for long life using Cree LED
- 48W (system wattage), 4350 delivered lumens
- Efficacy: 90lm/w
- Low starting temp -40°C
- CRI > 75
- Color temperature 4700K
- IC current controlled LED circuits

5-year limited manufacturer warranty