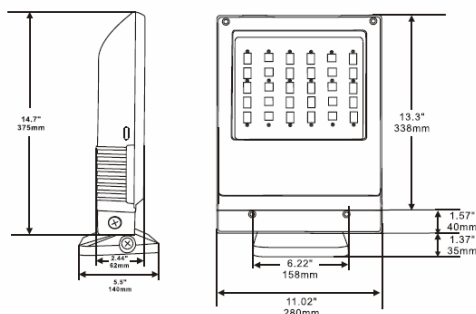


PowerLux® Architectural LED Wall Mount Luminaire

Catalog#		Type
Project		
Note		Date
Prepared by		



FIXTURE DIMENSIONS



IES FILE PHOTOMETRIC DATA

Available upon request

PACKING DATA

Carton size: 14"x 7" x 18" Weight 15 lbs

ORDERING INFORMATION

Model No.	Wattage	Lumens	Color Temp	Input Voltage
PLEDAWM5	60	4000	4700K	120-277V

Part Number Example: PLEDAWM5/4000/747/120-277

Description: PowerLux Architectural LED Wall Mount Luminaire 60W, 4000lm, 4700K, 120-277V

APPLICATIONS

Ideally used for illumination of walkways and parking lots. Also parks, shopping malls, office building, hotels and entry ways

SPECIFICATION FEATURES

- Full cut-off wall mount
- Die-cast aluminum housing with bronze UV resistant powder coat finish
- Hinged die cast aluminum door frame
- Tamper proof screws
- DLC pending
- IP65

LED SYSTEM FEATURES

- Highest quality long life LEDs
- Thermally designed for long life using Cree LED
- 60W (system wattage), 4000 delivered lumens
- Efficacy: 67lm/w
- IES Type III distribution
- Low starting temp -30°C
- CRI > 75
- Color temperature 4700K
- Input voltage: 120-277V AC
- IC current controlled LED circuits

5-year limited manufacturer warranty



Hinged die cast aluminum door frame



Precise optical lens for excellent photometric



PowerLux® Corporation

U.S. Manufacturer of Sustainable Energy Efficient Lighting Products

1260 Liberty Way, Suite E Vista, CA 92081 Phone: 760-727-2360 Fax: 760-434-4766

Website: www.powerlux.com E-mail: klpowerlux@gmail.com

Based on prevailing model. Efficiency of ballast and efficacy of LED modules are ever improving. Please contact [PowerLux®](http://www.powerlux.com) for latest updated information.

PowerLux® Products Have Stood the Test of Time!

140430
Patents pending
Specifications subject to change without prior notice
© 2011 by PowerLux® Corporation. All rights reserved