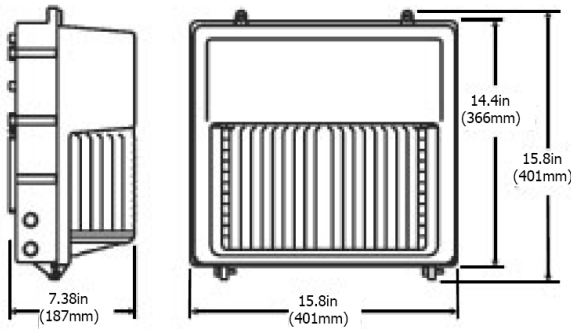


PowerLux® Slim Wall Pack LED Luminaire

Catalog#		Type
Project		
Note		Date
Prepared by		



FIXTURE DIMENSIONS



IES FILE PHOTOMETRIC DATA

Available upon request

PACKING DATA

Carton size: 16" x 16" x 8" Weight 20 lbs

ORDERING INFORMATION

Model No.	4000 Lumen	6000 Lumen	Input Voltage
PLEDSWP	33W/740K	49W/740K	120-277
	33W/757K	49W/757K	
	34W/840K	51W/840K	

Part Number Example: PLEDSWP/6000/840/120-277

Description: PowerLux LED Slim Wall Pack 51W, 6000 lumen, 4000K, 120-277V

APPLICATIONS

For parking areas, walkways, loading docks, tunnels, entrances, underpasses, recreation areas, area lighting, or general illumination

SPECIFICATION FEATURES

- Thermally engineered for sustainable operation designed according to local climate
- Dark Bronze die-cast aluminum housing with powder coated finish
- Heat resistant/ high impact borosilicate glass lens
- Silicone rubber gasket
- ½" tapped holes available for installing photocell (photocell optional)
- UL listed for wet locations
- Perfect replacement for HPS and MH HID light sources
- Overall weight is reduced for easy installation and maintenance
- Manufactured in the U.S.A.

LED SYSTEM FEATURES

- Thermally designed for 50,000 hours operation
- Direct downward lumen: 4000 or 6000 lumen
- System wattage: 4000lm = 34W and 6000lm = 51W
- Efficacy: 118-125lm/w
- Available in 740K, 757K, and 840K
- Comfortable superior quality LED light
- Instant ON and instant re-strike with back-to-full brightness feature
- Universal voltage: 120-277V
- 2-level dimmable driver up to 80% power reducer to save energy during inactive times. Works with 0-10V control and sensor system.
- 5-year system warranty

PowerLux® Corporation

U.S. Manufacturer of Sustainable Energy Efficient Lighting Products

1260 Liberty Way, Suite E Vista, CA 92081 Phone: 760-727-2360 Fax: 760-434-4766

Website: www.powerlux.com

PowerLux® Products Have Stood the Test of Time!

Based on prevailing model. Efficiency of ballast and efficacy of LED modules are ever improving. Please contact [PowerLux®](http://www.powerlux.com) for latest updated information.

151030
Specifications subject to change without prior notice
© 2015 by PowerLux® Corporation. All rights reserved.