

PowerLux® Small Area/Roadway LED Luminaire



Catalog#		Type
Project		
Note		Date
Prepared by		

APPLICATIONS

For streets, parking lots, parks, or for general illumination

HOUSING FEATURES:

- Heavy-Duty low profile die cast housing with integral heat sinking.
- Powder coat finish over a chromate conversion coating
- Driver compartment
- Includes twist lock photocell receptacle
- Mounting arm adaptor: Mounts over a 2 3/8" diameter arm
- Ingress protection: IP67

LENS:

Clear Flat Glass or Clear Flat Prismatic Glass

LED ARRAY FEATURES:

- Array lumens 17,685
- Delivered lumens:
 - C Optics (type 3): 17,092
 - F Optics (Medium beam Spread): 17,276
- CRI: 73
- CCT: 5000K
- Efficacy: 95 LPW
- Rated Life: 50,000 hours
- 5-Year warranty

SYSTEM WATTAGE:

- Array 167.3W, System 180W

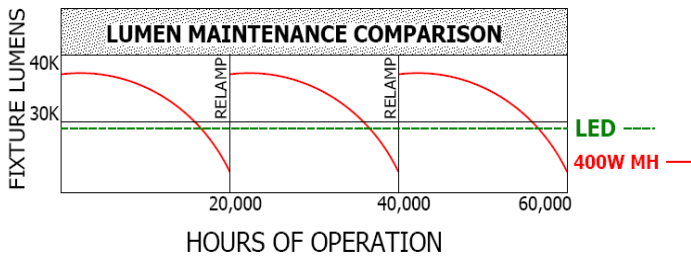
LED DRIVER:

Dimmable Electronic Driver, 120-277V, 50/60Hz OR
347/480V, 50/60Hz
Optional 2.5KV Surge Protector

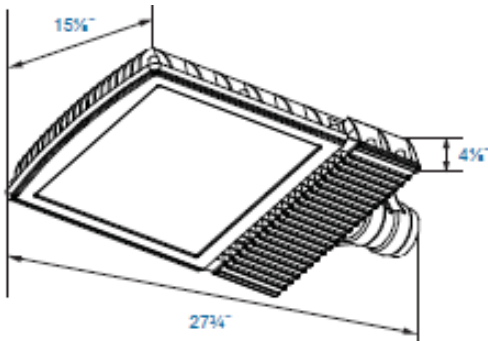
Listing & Rating

- CSA: Listed for wet locations
- DLC Listed as: ST30QC1X167U5KC
ST30QF1X167U5KC

Assembled in the USA



FIXTURE DIMENSIONS:



IES FILE PHOTOMETRIC DATA

Available upon request

ORDERING INFORMATION

Model No.	Wattage	CCT	Optics	Lens	Input Voltage	Additional Options
PLEDAR27154	167W	5000K	C=Type 3 F=Medium Beam Spread	CL=Clear Flat P= Clear Flat Prismatic	120-277V 347/480V	SP=2.5KV Surge Protector PH= Photocell

Part Number Example: PLEDAR27154/167/750/C/P/120-277/SP/PH

Description: PowerLux LED Small Area/Roadway Luminaire 167W, 5000 Kelvin, Type 3 Optics, Clear Flat Prismatic Lens, 120-277V, Surge Protector and Photocell

PowerLux® Corporation

U.S. Manufacturer of Sustainable Energy Efficient Lighting Products

1260 Liberty Way, Suite E Vista, CA 92081 Phone: 760-727-2360 Fax: 760-434-4766

Website: www.powerlux.com E-mail: klpowerlux@gmail.com

Based on prevailing model. Efficiency of ballast and efficacy of LED modules are ever improving. Please contact PowerLux® for latest updated information.

PowerLux® Products Have Stood the Test of Time!

151028
Patents pending
Specifications subject to change without prior notice
© 2015 by PowerLux® Corporation. All rights reserved