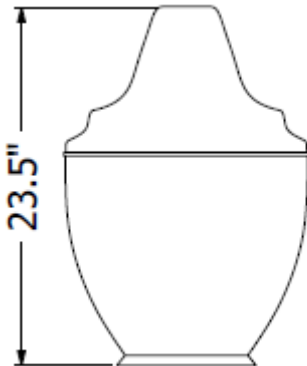


# PowerLux® LED Aluminum Top Custom Retrofit Kit



## DIMENSIONS



## IES FILE PHOTOMETRIC DATA

Available on request

## PACKING DATA

26"x18"x18" Weight 12 lbs.

## ORDERING INFORMATION and SELECTION

Model No.	Family Series	CCT 2700K	CCT 4000K	Voltage	Base	Refractor	Finial
PLEDMR	2500	25W* / 2100lm	25W* / 2350lm	120-240	8"	Polycarbonate (P)	F1
	4000	34W* / 2700lm	34W* / 3000lm	120-277	9"	Acrylic (A)	F2
	6000	58W* / 4800lm	59W* / 5100lm				

\*System wattage. System = driver + module

Part Number Example: PLEDMR/4000/840/120-277/9/A/F2

Description: PowerLux LED Aluminum Top Custom Retrofit 34W 4000K, 120-277V, 9" Acrylic with Black Top, Black Finial



Catalog#		Type
Project		
Note		Date
Prepared by		

## APPLICATIONS

- For use with existing Post Top Luminaire (use in parks, along walkways, roadways and areas where a distinctive nostalgic theme is prevalent).

## SPECIFICATION FEATURES

- PowerLux® Dora™** Post-Top features a traditional turn of the century shape
- Available in acrylic or polycarbonate
- Type III or V distribution, optimized for efficient light performance
- Spun aluminum top with black powdercoat finish
- Improves downlight efficiency and eliminates uplight pollution
- Aluminum Top with black powdercoat finish
- Designed for pole height between 10 and 20 feet
- 8" or 9" base diameter
- Overall weight is reduced for easy installation and maintenance
- Aluminum black finial available in style F1 or F2
- 5-year limited warranty

## LED SYSTEM FEATURES

- Thermally designed for 50,000 hours operation
- Typical downward lumen: see chart below
- Comfortable superior quality LED light
- Instant ON and instant re-strike with back-to-full brightness feature
- LED module efficacy up to 130lm
- CCT available in 2700K, 3000K, 3500K or 4000K
- CRI > 80
- Universal voltage 120-240V or 120V-277V
- 2-level dimmable driver up to 80% power reducer to save energy during inactive times. Works with 0-10V control and sensor system.
- 5-year system warranty

Custom LED lumen packages available. Wattage varies according to lumen package.



F1



F2

## PowerLux® Corporation

**U.S. Manufacturer of Sustainable Energy Efficient Lighting Products**

1260 Liberty Way, Suite E Vista, CA 92081 Phone: 760-727-2360 Fax: 760-434-4766

Website: www.powerlux.com E-mail: klpowerlux@gmail.com

Based on prevailing model. Efficiency of ballast and efficacy of LED modules are ever improving. Please contact [PowerLux](http://www.powerlux.com) for latest updated information.

**PowerLux® Products Have Stood the Test of Time!**

140325  
Patents pending  
Specifications subject to change without prior notice  
© 2010 by PowerLux® Corporation. All rights reserved