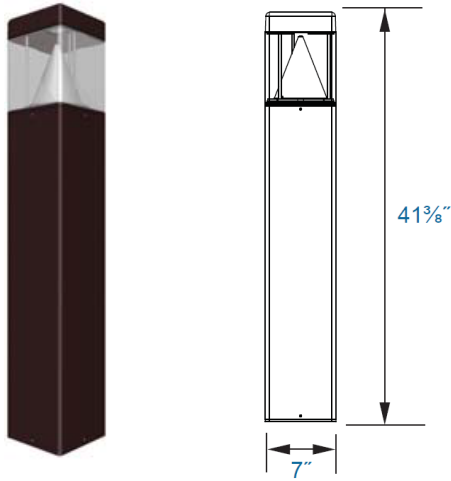
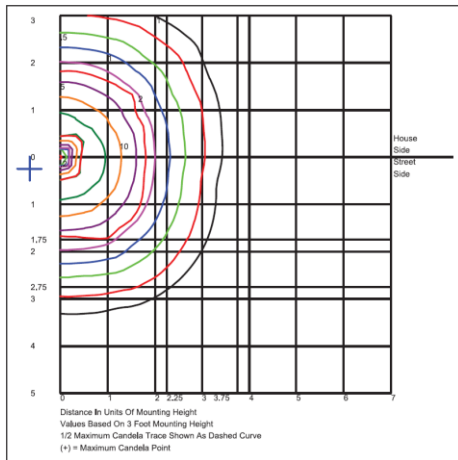


PowerLux® Corporation
LED Bollard Series
Square Flat Top with
Cone Reflector



Bollard can be cut to custom length upon request

Photometrics



ORDERING INFORMATION

Model No.	Color	Wattage	CCT	Lumen Output	Input Voltage	Additional Options
PLEDBO-SFCR	B= Black Z= Bronze W= White	15=15W	4K=4000K 5K=5000K	1382	U=120-277V	SP=Surge Protection SF=Single Fuse DF=Double Fuse

PACKING DATA:
 Carton Size: 9"x9"x44"
 Weight: 15Lbs

Part Number Example: PLEDBO-SFCR/B/15/4K/1382/U/SP

Description: PowerLux LED Bollard, Square with Flat Top, Aluminum Cone Reflector, Black Housing, 15W, 4000 Kelvin, 1382 Lumens, 120-277V, and Surge Protection

Catalog#		Type
Project		
Note		Date
Prepared by		

APPLICATIONS

For walkways, parks and yards

HOUSING FEATURES:

- Extruded aluminum housing with flush mounting base & vandal resistant screws
- Powder coat finish over a chromate conversion coating
- Available colors: Black, Bronze, White. Custom colors available upon request

LENS:

Clear Polycarbonate Lens

INTERNAL REFLECTOR:

Specially designed Aluminum cone reflector for LED

Mounting:

Mounting kit with 8" anchor bolts (included)

LED ARRAY FEATURES:

- Medium beam spread LED optics
- Array Lumens: 2,089
- Delivered Lumens: 1,382
- CRI: 83
- CCT: 4000K, 5000K
- Rated Life: 50,000 hours
- 5-Year warranty

SYSTEM WATTAGE:

- Array: 14.5W
- System: 17W

LED DRIVER:

- Dimmable Electronic Driver, 120-277V, 50/60Hz
- Optional Surge Protector
- Optional Single fuse or Double fuse

LISTING AND RATING:

- CSA: Listed for wet location
- IP65

Assembled in the USA

PowerLux® Corporation

U.S. Manufacturer of Sustainable Energy Efficient Lighting Products

1260 Liberty Way, Suite E Vista, CA 92081 Phone: 760-727-2360 Fax: 760-434-4766

Website: www.powerlux.com E-mail: klpowerlux@gmail.com

PowerLux® Products Have Stood the Test of Time!

Based on prevailing model. Efficiency of the LED Driver and efficacy of LED modules are ever improving. Please contact PowerLux® for latest updated information.

160406
 Patents pending
 Specifications subject to change without prior notice
 © 2015-2016 by PowerLux® Corporation. All rights reserved