

PowerLux® LED Custom Design

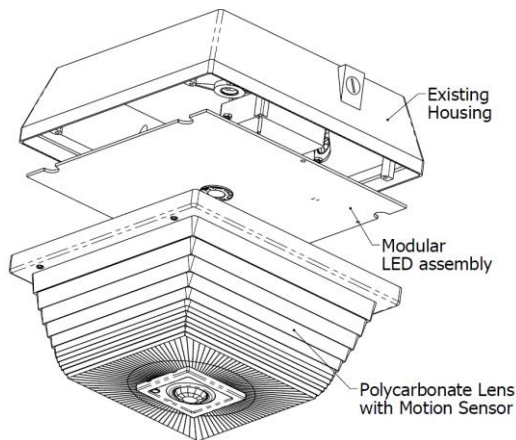
SquareLite™ Retrofit Kit

[keep existing housing]



Retrofit kit includes:

- a) Easy to install LED modular assembly
- b) Optional Polycarbonate Lens
- c) Optional Polycarbonate Lens with Motion Sensor. **Drastically saves energy**



Custom LED lumen packages available.
Wattage varies according to lumen package.

Catalog#		Type
Project		
Note		Date
Prepared by		

APPLICATIONS

- Designed to easily replace existing lighting systems with more energy efficient PowerLux LED lighting system.
- Designed to easily replace 50-150W MH and HPS HID lighting systems or Induction systems

SPECIFICATION FEATURES

- Thermally engineered for sustainable operation designed according to local climate
- Modular LED assembly design for easy service
- Comfortable glare reduction lens for LED light
- Instant ON and instant re-strike with back-to-full brightness feature
- Wattage: 34W or 42W
- Efficacy: see chart
- CRI: >85
- CCT available: 2700K, 3000K, 3500K, 4000K or 5000K
- Universal Input Voltage: 120-277V or 347-480V.
- PF: ≥ 0.95. THD: 20% Max.
- 2-level dimmable driver up to 90% power reducer to save energy during inactive times. Works with 0-10V Bi-Level motion sensor
- Manufactured in the U.S.A.
- **Warranty**= LED Module: 10 years; LED Driver: 5 years
- **Expected Lifetime**= LED Module: 143,000hrs [L70]; Driver: 87,000 hrs.

OPTIONAL PROGRAMMABLE BI-LEVEL MOTION SENSOR FEATURES

- 100% Digital PIR Detection; 360° coverage pattern
- Sensor is line powered, switches line voltage and requires no field calibration or sensitivity adjustments
- Adjustable occupancy time delay (from 2.5min to 20 min) 5min. default
- Photocell option available
- UL Listed; Corrosion resistant to moisture
- Made in the U.S.A. with a 5-year warranty
- This lighting control device has been certified by the CA Energy Commission for use in a Title 24 project. Contact PowerLux for details.

ORDERING INFORMATION

Model No.	Wattage (W)	CCT (Kelvin)	Lumen Output	Input Voltage	Additional Options	Wattage at Each Dim Level
PLEDSQR	34	2700K	3592 [106 LPW]	120-277V Or 347-480V	PL=Polycarbonate Lens PL-DMS=Polycarbonate Lens with Built-in Dimmable Motion Sensor PL-DMSP=Polycarbonate Lens with Built-in Dimmable Motion Sensor and Photocell	4W=90% Max
		3000K	3705 [109 LPW]			7W=80%
		3500K	3896 [115 LPW]			10W=70%
		4000K	3920 [115 LPW]			14W=60%
		5000K	3788 [112 LPW]			17W=50%
	42	2700K	4921 [117 LPW]			4W=90% Max.
		3000K	5360 [128 LPW]			8W=80%
		3500K	5520 [132 LPW]			13W=70%
		4000K	5621 [134 LPW]			17W=60%
		5000K	5412 [129 LPW]			21W=50%

Part Number Example: PLEDSQR/34/840/3920/120-277/PL-DMS/4W

Description: PowerLux LED SquareLite Retrofit Kit, 34W, 4000K, 3920 Lumen, 120-277V, Polycarbonate Lens with Dimmable Bi-Level Motion Sensor programmed to 90% maximum dim level

PowerLux® Corporation

U.S. Manufacturer of Sustainable Energy Efficient Lighting Products

1260 Liberty Way, Suite E Vista, CA 92081 Phone: 760-727-2360 Fax: 760-434-4766

Website: www.powerlux.com E-mail: klpowerlux@gmail.com

PowerLux® Products Have Stood the Test of Time

Based on prevailing model. Efficiency of LED Driver and efficacy of LED modules are ever improving. Please contact PowerLux for latest updated information.

161013
 Patents pending
 Specifications subject to change without prior notice
 © 2016 by PowerLux® Corporation. All rights reserved