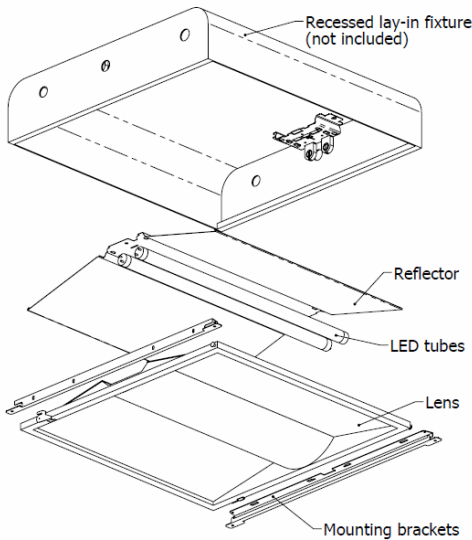


# PowerLux® LED Retrofit Kit – High Transmission Lens



Catalog#		Type
Project		
Note		Date
Prepared by		

## APPLICATIONS

For use with most recessed lay-in fixtures in standard 15/16" grid ceiling systems. Commercial applications such as offices, hospitals, schools, etc. Suitable for use in standard 15/16" inverted T-bar grid ceilings.

## SPECIFICATION FEATURES

- Features positive latching mechanism for easy re-lamping
- High reflectance optical engine delivers main beam focus through the revolutionary diffusing panel. With 93% transmission and 88% glow, the result is exceptional control and efficiency. Eliminates LED glare.
- Fits most standard lay-in lensed or parabolic housings 2'X2' and 2'X4'
- High reflectance white reflector distributes light through both optical elements replacing 1 or 2-lamp T-5 and T-8 fluorescent.
- Made in the U.S.A.

## LED LAMP SPECIFICATION FEATURES

- AC-Connect LED lamps (AC) (simple wiring, cuts energy by half)
- Direct Replacement LED lamp (DR) (directly into, cuts energy by third)
- 110 degrees of clear, uniform, flicker-free illumination
- 50,000 hours rated lifetime
- Lamp Wattage = 16W OR 22W
- Light Output = 1920 lumens OR 2400 lumens
- Efficacy = 120 LPW OR 110 LPW
- CRI = 80
- Input Voltage = 120-277V
- No mercury or other hazardous materials
- ETL listed
- DLC listed
- 5-year Limited Warranty

## ORDERING INFORMATION

Model No.	Retrofit Size	LED Lamp Wattage	LED Lamp Type	Color Temperature
PHTLR	2' x 2'	16W	AC	3000K
	2' x 4'	22W	DR	4100K
				5000K

See **PowerLux®** T-8 AC Connect and **PowerLux®** T-8 Direct Replacement cut sheets for more information on LED lamps

Part Number Example: PHTLR/24/22/LEDDR/841

Description: PowerLux High Transmission Lens Retrofit, 2x4, 22W Direct Replacement LED lamps, 4100K



## PowerLux® Corporation

U.S. Manufacturer of Sustainable Energy Efficient Lighting Products

1260 Liberty Way, Suite E Vista, CA 92081 Phone: 760-727-2360 Fax: 760-434-4766

Website: www.powerlux.com E-mail: klpowerlux@gmail.com

Based on prevailing model. Efficiency of ballast and efficacy of LED modules are ever improving. Please contact **PowerLux®** for latest updated information.

**PowerLux®** Products Have Stood the Test of Time!