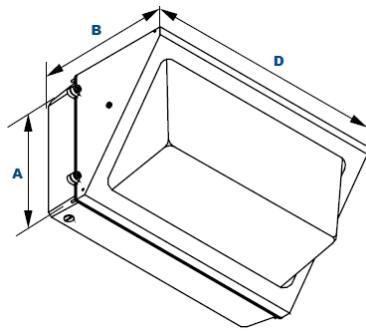


# PowerLux® WallPack 181010 LED Luminaire



Dimensions	
Width (D)	18 1/8"
Length (B)	9 3/8"
Height (A)	9"

Catalog#		Type
Project		
Note		Date
Prepared by		

## APPLICATIONS

PowerLux general purpose wall pack luminaire provides optically controlled wide spread light distribution designed to replace HID lighting systems from 250w to 400w MH or HPS. Typical wall mounted lighting applications include retail centers, industrial parks, schools and universities, public transit and airports, office buildings and medical facilities. Mounting heights of 18 to 30 feet can be used based on light level and uniformity requirements.

## HOUSING FEATURES:

- Die Cast Aluminum Housing & Hinged Front Frame, 1/2" Coin Plugs with O-rings for Conduit & Photocell. Gasketed to prevent any leakage from the outside.
- Textured Architectural Bronze Powdercoat Finish Over a Chromate Conversion Coating.
- Custom Colors Available Upon Request.

## LENS:

Molded Prismatic Borosilicate Glass Lens

## Mounting Options:

Cast-in Template for Mounting Directly Over a 4" Recessed Outlet Box, or Use 1/2" Surface Conduit.

## DELIVERED LUMENS:

- 5000K CCT, 80 CRI= 8,146
- 4000K CCT, 80 CRI= 7,820

## SYSTEM WATTAGE:

Array: 57.8W, System: 67.3W (400W HID Equivalent)

## DIMMABLE ELECTRONIC LED DRIVER:

- Instant ON and instant re-strike with back-to-full brightness
- Voltage Input: 120-277V, 50/60Hz OR 347/480V, 50/60Hz

## Listing & Rating

- 5 year warranty
- CSA: Listed for wet locations
- ANSI/UL 1598, 8750
- IP55 Sealed LED Compartment
- Operating temperatures: -40°C to +50°C
- DLC Listed as: WP20QF1X58U5K
- Calculated L70 @25°C=138,000 Hours

## Assembled in the USA

## ORDERING INFORMATION:

Model No.	Optics	Wattage	CCT	Input Voltage	Additional Options (factory installed)
PLEDWP181010	IV=Type 4	58W	4K=4000K 5K=5000K	U=120-277V UH=347/480V	SF=Single Fuse DF=Double Fuse SP=Surge Protection PC1=Photocell, 120VAC PC2=Photocell, 250-305VAC P10=Pencil Photocell, 120VAC P12=Pencil Photocell, 277VAC

Part Number Example: PLEDWP181010/IV/58W/4K/U/SP

Description: PowerLux® LED WallPack Luminaire 181010, Type IV Optics, 58W, 4000 Kelvin, 120-277V, Surge Protector

PowerLux® Corporation

**U.S. Manufacturer of Sustainable Energy Efficient Lighting Products**

1260 Liberty Way, Suite E Vista, CA 92081 Phone: 760-727-2360 Fax: 760-434-4766

Website: [www.powerlux.com](http://www.powerlux.com) E-mail: [klpowerlux@gmail.com](mailto:klpowerlux@gmail.com)

**PowerLux® Products Have Stood the Test of Time!**

Based on prevailing model. Efficiency of the LED driver and efficacy of LED modules are ever improving. Please contact PowerLux® for latest updated information.

171006  
Patents pending  
Specifications subject to change without prior notice  
© 2014-2017 by PowerLux® Corporation. All rights reserved

# PowerLux® WallPack 181010 LED Luminaire

Catalog#		Type
Project		
Note		Date
Prepared by		

## Accessories & Replacement Parts:

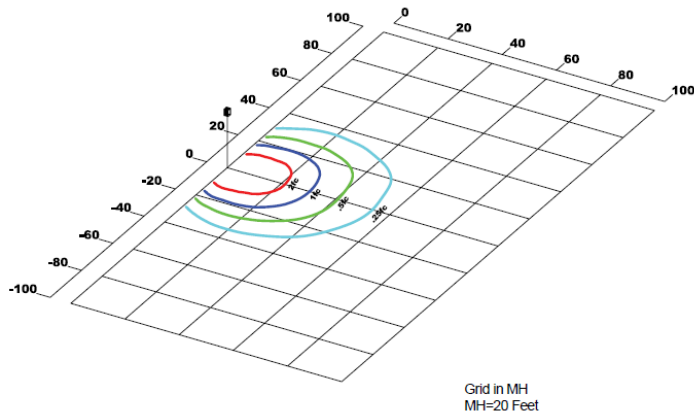


P18110 & P18112 3EBL1202774500

\*Shown Mounted

Accessories (Order separately, Field installed)		Replacement Parts (Order separately, Field installed)	
WP25FCZ	Full Cutoff, Stamped Steel, Bronze Powdercoat Finish	WP25GL	Molded Prismatic Borosilicate Glass Lens with Gasket
WP25SCZ	Side Cutoff, Stamped Steel, Bronze Powdercoat Finish	PC1	120VAC, Photocell
WP25LG	Clear Polycarbonate Vandal Resistant Guard	PC2	250-305VAC, Photocell
WP25WG	Wire Guard, Stainless Steel Construction, Includes Hardware.	P18110	110-130V 120VAC Pencil Photocell
		P18112	208-277V 240VAC Pencil Photocell
		3EBL1202774500	Battery Backup, Provides 90 Minutes of Backup Power.

## Photometric Data



## Photometric Performance

LED Board Watts	Drive Current (mA)	Input Watts	Optics	5000 CCT 80 CRI					4000 CCT 80 CRI				
				Lumens	LPW	B	U	G	Lumens	LPW	B	U	G
58w	116	67	Type IV	8,146	122	1	4	5	7,820	117	1	4	5

## Projected Lumen Maintenance

Data shown for 5000 CCT			Compare to MH				
TM-21-11	Input Watts	Initial	25,000 Hrs	50,000 Hrs	100,000 Hrs	Calculated L70@ 25°C	
L70 Lumen Maintenance @ 25°C / 77°F	67	1.00	0.95	0.89	0.78	138,000	
000	Input Watts	Initial	25,000 Hrs	50,000 Hrs	100,000 Hrs	Calculated L70@ 50°C	
L70 Lumen Maintenance @ 50°C / 122°F	67	1.00	0.86	0.72	0.43	53,000	
TM-21-11	Input Watts	Initial	25,000 Hrs	50,000 Hrs	100,000 Hrs	Calculated L80@ 40°C	
L80 Lumen Maintenance @ 40°C / 104°F	67	1.00	0.92	0.84	0.68	62,000	

### NOTES:

- Projected per IESNA TM-21-11. Data references the extrapolated performance projections for the 116mA base model in a 25°C ambient, based on 10,000 hours of LED testing per IESNA LM-80-08.
- Compare to MH box indicates suggested Light Loss Factor (LLF) to be used when comparing to Metal Halide (MH) systems.

## PowerLux® Corporation

U.S. Manufacturer of Sustainable Energy Efficient Lighting Products

1260 Liberty Way, Suite E Vista, CA 92081 Phone: 760-727-2360 Fax: 760-434-4766

Website: [www.powerlux.com](http://www.powerlux.com) E-mail: [klpowerlux@gmail.com](mailto:klpowerlux@gmail.com)

**PowerLux® Products Have Stood the Test of Time!**

Based on prevailing model. Efficiency of the LED driver and efficacy of LED modules are ever improving. Please contact PowerLux® for latest updated information.

171006  
Patents pending  
Specifications subject to change without prior notice  
© 2014-2017 by PowerLux® Corporation. All rights reserved