

# PowerLux® *Decorative Poles and Accessories*

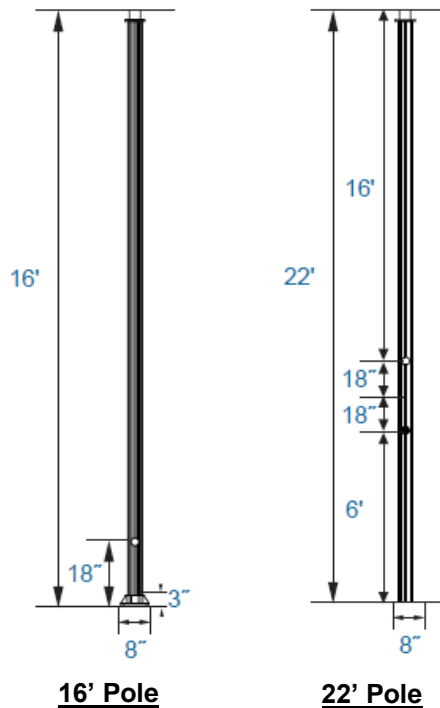
*(Photos not to scale)*

|             |  |      |
|-------------|--|------|
| Catalog#    |  | Type |
| Project     |  |      |
| Note        |  | Date |
| Prepared by |  |      |

## 16' Anchor Base Pole and 22' Direct Burial Pole



### DIMENSIONS



### SPECIFICATION FEATURES

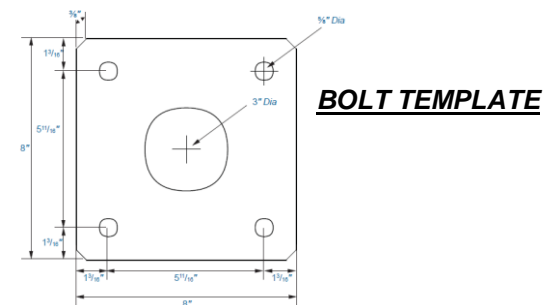
- 4" O.D. x .120 (11 gauge) fluted aluminum extruded poles
- Available in Direct Burial or Anchor Base
- Gasketed hand hole cover with stainless steel bolt
- Black powercoat finish
- Includes removable 3" aluminum reducing tenon

### ANCHOR BASE POLE

- 2.25" diameter hand hole is 18" above grade
- 8" square welded cast aluminum base plate
- 8" bolt circle
- Set of (4) 5/8" x 18" anchor bolts (J-bolts) and template

### DIRECT BURIAL POLE

- 2.25" diameter hand hole is 90" from bottom of direct burial pole



## **PowerLux® Corporation**

**U.S. Manufacturer of Sustainable Energy Efficient Lighting Products**

1260 Liberty Way, Suite E Vista, CA 92081 Phone: 760-727-2360 Fax: 760-434-4766

Website: [www.powerlux.com](http://www.powerlux.com) E-mail: [klpowerlux@gmail.com](mailto:klpowerlux@gmail.com)

**PowerLux® Products Have Stood the Test of Time!**

140319  
 Patents pending  
 Specifications subject to change without prior notice  
 © 2010 by PowerLux® Corporation. All rights reserved

# PowerLux® *Decorative Poles and Accessories*

*(Photos not to scale)*

|             |  |      |
|-------------|--|------|
| Catalog#    |  | Type |
| Project     |  |      |
| Note        |  | Date |
| Prepared by |  |      |

## Bases



**B1**  
Two- piece sand cast aluminum wrap-around base.  
Black powdercoat finish; stainless steel hardware.  
15" high x 11 ¾" diameter.

**B2**  
Two- piece die cast aluminum wrap-around base.  
Black powdercoat finish; stainless steel hardware.  
24" high x 12" diameter.

**B3**  
Two- piece sand cast aluminum wrap-around base.  
Black powdercoat finish; stainless steel hardware.  
31 ¼" high x 12" diameter.

**B4**  
Square two- piece aluminum base cover.  
Black powdercoat finish; stainless steel hardware.  
10 ¾" x 11" x 4" high.

Contact **PowerLux®** for additional details

## Decorative Arms



**D1**  
Single decorative aluminum wall mount bracket.  
Black powdercoat finish; stainless steel hardware.  
Accepts 3" diameter fitters.  
10" high x 15" overall length.

**D2**  
Dual head decorative aluminum pole arm.  
Black powdercoat finish.  
Fits 3" tenon; stainless steel hardware.  
Accepts 3" diameter fitters.  
13" high x 43" overall width.

## **PowerLux® Corporation**

**U.S. Manufacturer of Sustainable Energy Efficient Lighting Products**

1260 Liberty Way, Suite E Vista, CA 92081 Phone: 760-727-2360 Fax: 760-434-4766  
Website: [www.powerlux.com](http://www.powerlux.com) E-mail: [klpowerlux@gmail.com](mailto:klpowerlux@gmail.com)

**PowerLux® Products Have Stood the Test of Time!**

140319  
Patents pending  
Specifications subject to change without prior notice  
© 2010 by PowerLux® Corporation. All rights reserved