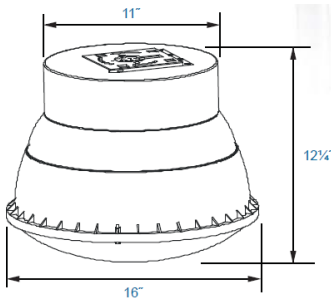


PowerLux® Corporation

Round Deluxe LED Luminaire

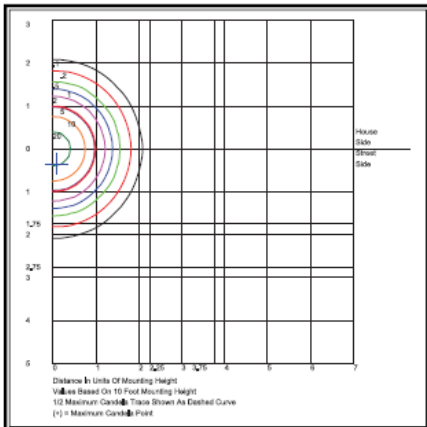


FIXTURE DIMENSIONS:



Shown with Pendant Mount

PHOTOMETRIC DATA



Catalog#		Type
Project		
Note		Date
Prepared by		

APPLICATIONS

For indoor locations. Surface or Pendant Mount

HOUSING FEATURES:

- Heavy Duty Round Die Cast Aluminum Housing, textured architectural Bronze Powder coat finish over a chromate conversion coating
- Custom colors available upon request

REFLECTOR:

Two-Piece Aluminum Reflector – Upper section removes to create up light

LENS:

Standard Clear Polycarbonate Prismatic Lens

MOUNTING:

Easy-Hang bracket fits standard 4" electrical box, allowing one person installation. Pendant mount or Quick mount also available

LED ARRAY FEATURES:

- Array lumens: 6,286
- Delivered lumens: 5,087
- CRI: 80+
- CCT: 5000K
- Rated Life: 50,000 hours
- 5-Year warranty

SYSTEM WATTAGE:

- Array: 45.4W
- System: 52W

LED DRIVER:

Dimmable Electronic Driver, 120-277V, 50/60Hz or 347/480, 50/60Hz

Listing & Rating

- CSA: Listed for damp locations, Ceiling Mount
- IP65
- Operating Temperatures: -40°C to +40°C

OPTIONS:

- Surge Protection
- Battery Backup (Provides 90 min. of backup power)

Assembled in the USA

ORDERING INFORMATION

Model No.	Wattage	CCT	Lens	Input Voltage	Options
PLEDRD	45W	5000K	S=Standard Clear Polycarbonate Lens	U=120-277V UH=347/480V	PM=Pendant Mount HQM=Hinged Quick Mount SP= Surge Protection BB= Battery Backup



Easy-Hang Bracket



Hinged Quick-Mount Bracket

Part Number Example: PLEDRD/45/5000/S/U/PM/SP

Description: PowerLux Round Deluxe LED Luminaire, 45W, 5000 Kelvin, Clear Polycarbonate Lens, 120-277V, with Pendant Mount and Surge Protection

PowerLux® Corporation

U.S. Manufacturer of Sustainable Energy Efficient Lighting Products

1260 Liberty Way, Suite E Vista, CA 92081 Phone: 760-727-2360 Fax: 760-434-4766

Website: www.powerlux.com E-mail: klpowerlux@gmail.com

PowerLux® Products Have Stood the Test of Time!

Based on prevailing model. Efficiency of the LED driver and efficacy of LED modules are ever improving. Please contact PowerLux® for latest updated information.

161027
Patents pending
Specifications subject to change without prior notice
© 2016 by PowerLux® Corporation. All rights reserved