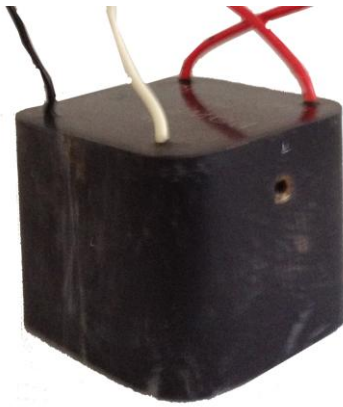


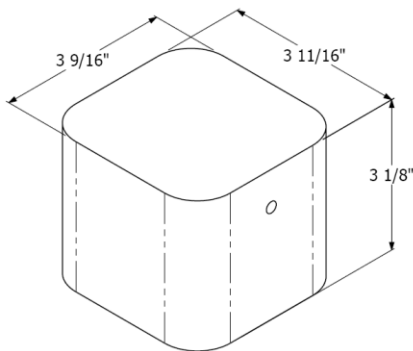
PowerLux[®] Exclusive
Series Lighting Transformer

Catalog #		Type
Project		
Note		Date
Prepared by		

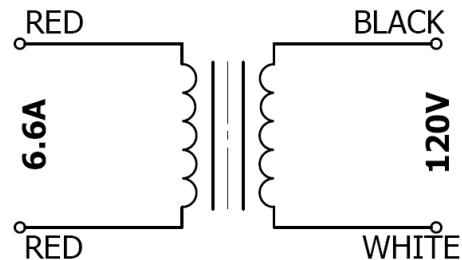


**Used in lighting circuits where
high current is present**

- Encapsulated
- Suitable for 50 to 60 cycle applications
- Primary: 6.6A
- Secondary: 120V
- Primary wire: AWG#14, 30KV, Red color
- Secondary wire: AWG#14, 105°C, 600V, black and white color
- Compatible for using with **PowerLux[®]** Induction and LED products



WIRING DIAGRAM



To order Series Lighting Transformer use part number:
PSLT66/120

Actual performance can vary depending on operation conditions.
Specifications are subject to change without notice. All
specifications are nominal unless otherwise noted.

PowerLux[®] Corporation

U.S. Manufacturer of Sustainable Energy Efficient Lighting Products

1260 Liberty Way, Suite E Vista, CA 92081 Phone: 760-727-2360 Fax: 760-434-4766

Website: www.powerlux.com E-mail: klpowerlux@gmail.com

PowerLux[®] Products Have Stood the Test of Time!