

# PowerLux<sup>®</sup> Transformer

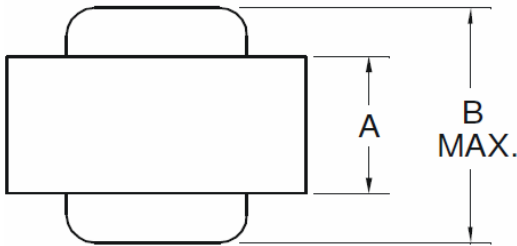
## 480V:277V or 347V:190V

|             |  |      |
|-------------|--|------|
| Catalog #   |  | Type |
| Project     |  |      |
| Note        |  | Date |
| Prepared by |  |      |



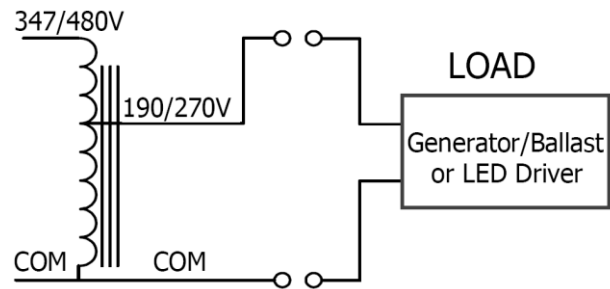
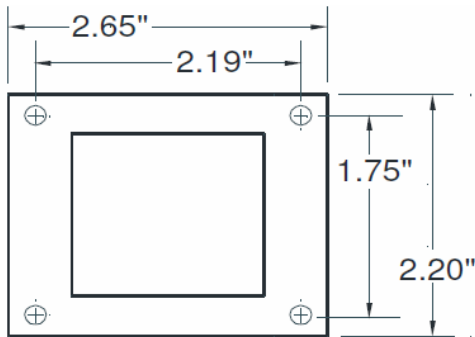
**Philips Advance**  
**Step-Down Transformer**  
 347/480: 190/270  
 Max VA Load: 350

### Dimensions



A Dimension = 2.35"  
 B Dimension = 3.6"

Weight = 3.7 lbs



| Input      | Output           |
|------------|------------------|
| 347V       | 190V             |
| 480V       | 270V             |
| 1.0 A max. | 350 VA Load max. |

To order Transformer use part number:  
 AT43/480V/277V

## **PowerLux<sup>®</sup> Corporation**

**U.S. Manufacturer of Sustainable Energy Efficient Lighting Products**

1260 Liberty Way, Suite E Vista, CA 92081 Phone: 760-727-2360 Fax: 760-434-4766  
 Website: [www.powerlux.com](http://www.powerlux.com) E-mail: [klpowerlux@gmail.com](mailto:klpowerlux@gmail.com)