

# PowerLux<sup>®</sup> Transformer

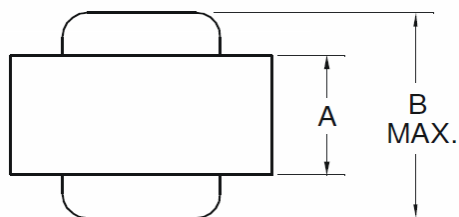
## 120V:277V or 277V:120V



Catalog #		Type
Project		
Note		Date
Prepared by		

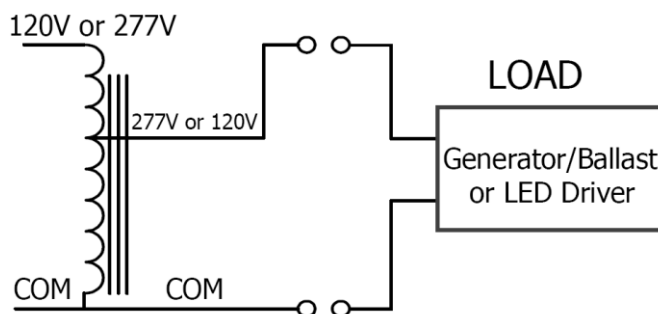
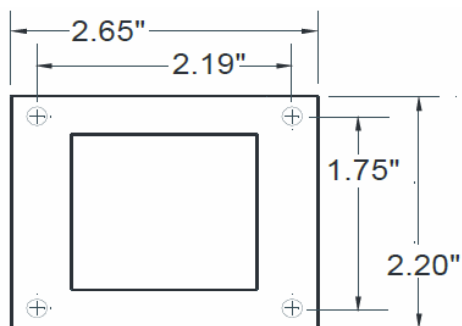
**Philips** Advance Transformer  
 120V:277V or 277V:120V  
 Max VA Load: 300

### Dimensions



A Dimension = 2.0"  
 B Dimension = 3.5"

Weight = 3.5 lbs



Input	Output
120V 2.4 A max.	277V 300 VA Load max.
277V 1.1 A max.	120V 300 VA Load max.

To order Transformer use part number:  
 AT41/120V/277V

## PowerLux<sup>®</sup> Corporation

**U.S. Manufacturer of Sustainable Energy Efficient Lighting Products**

1260 Liberty Way, Suite E Vista, CA 92081 Phone: 760-727-2360 Fax: 760-434-4766  
 Website: [www.powerlux.com](http://www.powerlux.com) E-mail: [klpowerlux@gmail.com](mailto:klpowerlux@gmail.com)