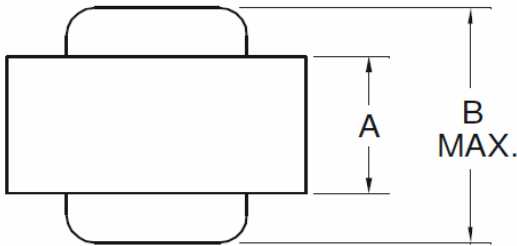


PowerLux® Transformer
347V:120V/277V, 277V:120V
or 120V:277V

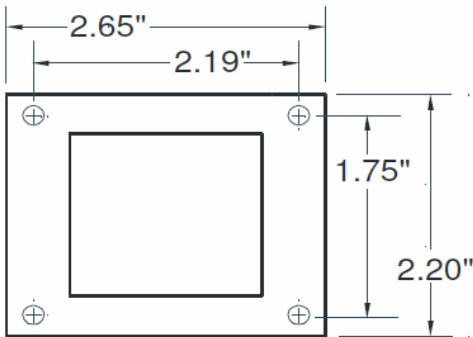


Dimensions



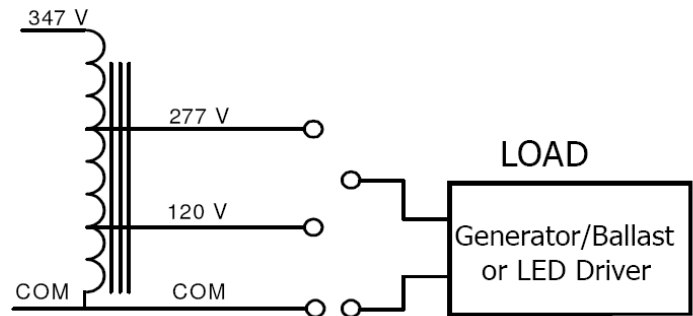
A Dimension = 2.7"
 B Dimension = 3.9"

Weight = 4.5 lbs



Catalog #		Type
Project		
Note		Date
Prepared by		

Philips Advance Transformer
 347V: 277V/120V
 Max VA Load: 395



Input	Output
347V	120V/277V
277V	120V
120V	277V
0.92 A max.	395 VA Load max.

To order Transformer use part number:
 AT62/347V/277V/120V

PowerLux® Corporation

U.S. Manufacturer of Sustainable Energy Efficient Lighting Products

1260 Liberty Way, Suite E Vista, CA 92081 Phone: 760-727-2360 Fax: 760-434-4766
 Website: www.powerlux.com E-mail: klpowerlux@gmail.com

Data is based on tests performed by Philips Advance in a controlled environment and is representative of relative performance. Actual performance can vary depending on operation conditions. Specifications are subject to change without notice. All specifications are nominal unless otherwise noted.